

Contents

4000L Series	1
9000 Series	11
Lady G Series	21
Pressure Balanced Thermostatic Mixing Valves.....	24
Optional Items & Accessories.....	34
Certificates & Approvals	38

4000L Series

FEATURES

- Softclose™ ceramic sealing cartridge prevents water hammer and leaking.
- Adjustable flow control helps save water and stops unwanted splashing.
- Adjustable temperature lock avoids accidental scalding.
- Australian Standards and WELS approved.
- Maximum hot water temperature 80 °C.
- Water supply pressure 50-1000kPa.
- Recommended operating pressure 100-500kPa.
- Maximum test pressure 1600kPa.
- Available with 145mm, 190mm or 290mm extended lever handles.
- Not recommended for use with domestic gravity-feed hot water systems.
- 10 year warranty on Softclose™ ceramic cartridge.
- 5 year warranty on all other parts.
- 12 months warranty on labour.
- 5 year warranty on chrome finish and 1 year on all other finishes.
- Made in Sweden.

4L00 Sink Mixer (150mm or 250mm spout)



APPLICATION

Suitable for use with kitchen sinks or benchtops up to 50mm thickness. Supplied with 350mm flexible 15mm BSP tails for easy installation.

TAP HOLE

Tap hole diameter between 32-35mm.
Horseshoe washer and pin bolt for easy installation.

FEATURES

- Softclose™ ceramic cartridge prevents water hammer.
- Water supply pressure 50-1000kPa.
- Recommended operating pressure 100-500kPa.
- Adjustable flow control.
- Adjustable hot water limitation.
- Low noise filters.
- 10 year warranty on cartridge.
- Spout can be restricted to 130 degrees movement if required.
- Made in Sweden.

OPTIONS

Available with 150 or 250mm long spouts.
Refer to Optional Items and Accessories for details.

COLOURS

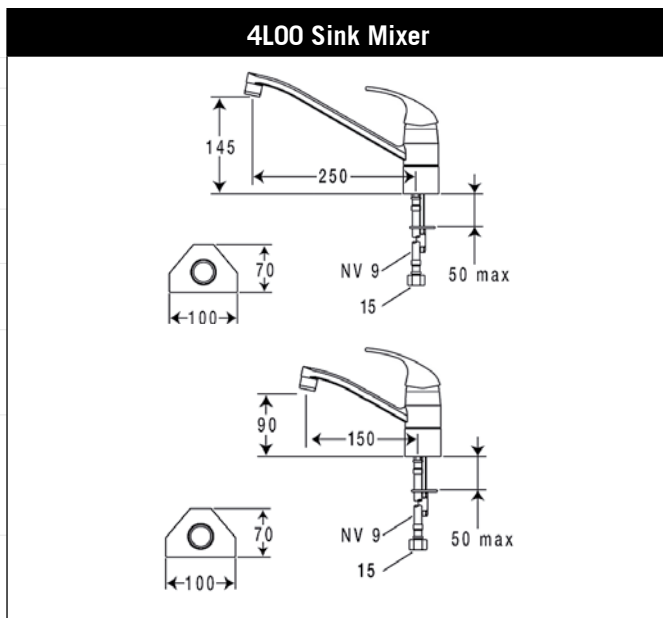
Chrome

APPROVALS AS3718

Manufactured in DR brass
AS/NZS 6400 (WELS)

CODES

4L00-7070 - 250mm Spout
4L00-7270 - 150mm Spout



AWARD BRANDS

(03) 9871 8444 / 1800 354 435 (Outside Victoria)

FM Mattsson
- Different on the inside

FM Mattsson Technical Specifications 2

4L10 Gooseneck Sink Mixer



APPLICATION

Suitable for use with kitchen sinks or benchtops up to 50mm thickness. Supplied with 350mm flexible 15mm BSP tails for easy installation.

TAP HOLE

Tap hole diameter between 32-35mm.
Horseshoe washer and pin bolt for easy installation.

FEATURES

- High curved restricted or non-restricted spout.
- Softclose™ ceramic cartridge prevents water hammer.
- Water supply pressure 50-1000kPa.
- Recommended operating pressure 100-500kPa.
- Adjustable flow control.
- Adjustable hot water limitation.
- Low noise filters.
- 10 year warranty on cartridge.
- Made in Sweden.

OPTIONS

Refer to Optional Items and Accessories for details.

COLOURS

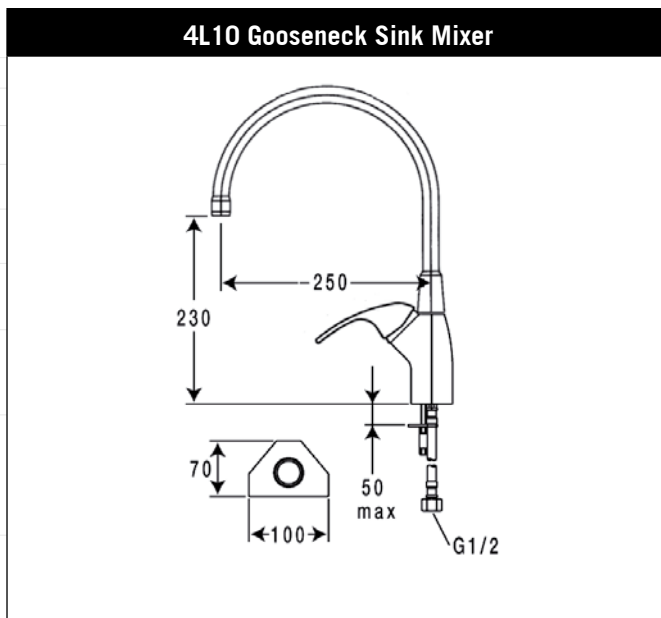
Chrome

APPROVALS AS3718

Manufactured in DR brass
AS/NZS 6400 (WELS)

CODES

4L10-7070



AWARD BRANDS

(03) 9871 8444 / 1800 354 435 (Outside Victoria)

FM Mattsson
- Different on the inside

FM Mattsson Technical Specifications 3

4L15 Sink Mixer with Pull-out Spray



APPLICATION

Suitable for use with sinks or vitreous china vanity basins, or benchtops up to 23mm thickness. The pull-out hand piece with its flexible nylon hose provides a choice of two spray patterns selectable by pressing the touch pad on top of the hand piece. Applications as diverse as culinary or coiffure are equally suited for this product. Supplied with copper tails.

TAP HOLE

Tap hole diameter between 32-35mm.

FEATURES

- Swivel outlet with pull-out hand spray.
- Two patterns are selectable, either a central aerated stream or shower type spray.
- Non return valves are built into system to prevent the occurrence of backflow or cross connection.
- Softclose™ ceramic cartridge prevents water hammer.
- Water supply pressure 50-1000kPa.
- Recommended operating pressure 100-500kPa.
- Adjustable flow control.
- Adjustable hot water limitation.
- Low noise filters.
- 10 year warranty on cartridge.
- Made in Sweden.

OPTIONS

Refer to Optional Items and Accessories for details.

COLOURS

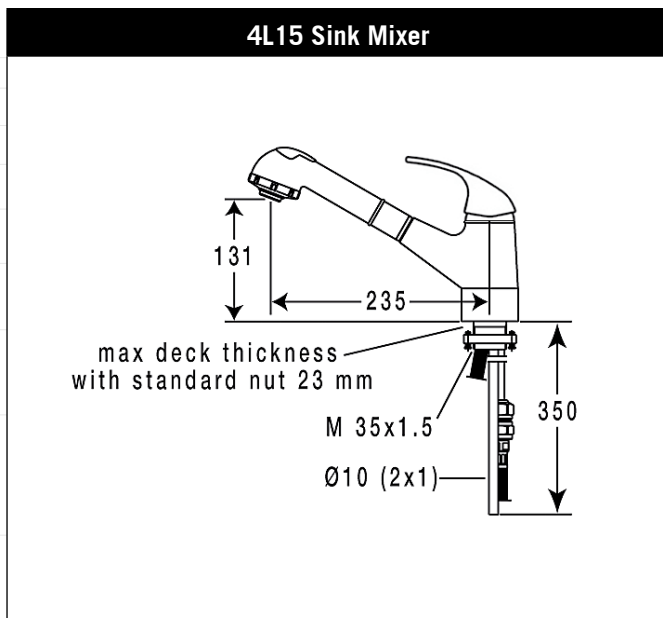
Chrome

APPROVALS AS3718

Manufactured in DR brass
AS/NZS 6400 (WELS)

CODES

4L15-7070



4L18 Bar Mixer



APPLICATION

Suitable for use with basins or benchtops up to 50mm thickness. Supplied with 350mm flexible 15mm BSP tails for easy installation.

TAP HOLE

Tap hole diameter between 32-35mm.
Horseshoe washer and pin bolt for easy installation.

FEATURES

- Fixed Spout
- Softclose™ ceramic cartridge prevents water hammer.
- Water supply pressure 50-1000kPa.
- Recommended operating pressure 100-500kPa.
- Adjustable flow control.
- Adjustable hot water limitation.
- Low noise filters.
- 10 year warranty on cartridge.
- Made in Sweden.

OPTIONS

Refer to Optional Items and Accessories for Details.

COLOURS

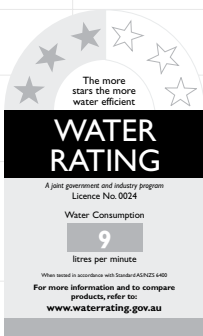
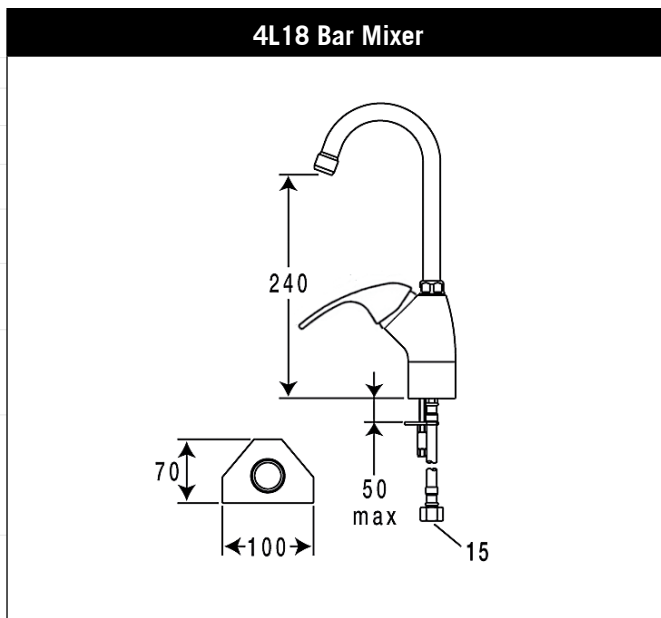
Chrome

APPROVALS AS3718

Manufactured in DR brass
AS/NZS 6400 (WELS)

CODES

4L18-7070



AWARD BRANDS

(03) 9871 8444 / 1800 354 435 (Outside Victoria)

FM Mattsson
- Different on the inside

FM Mattsson Technical Specifications 5

4L50 Basin Mixer



APPLICATION

Suitable for use with basins or benchtops up to 50mm thickness. Supplied with 350mm flexible 15mm BSP tails for easy installation.

TAP HOLE

Tap hole diameter between 32-35mm. Horseshoe washer and pin bolt for easy installation.

FEATURES

- Softclose™ ceramic cartridge prevents water hammer.
- Water supply pressure 50-1000kPa.
- Recommended operating pressure 100-500kPa.
- Adjustable flow control.
- Adjustable hot water limitation.
- Low noise filters.
- 10 year warranty on cartridge.
- Made in Sweden.

OPTIONS

Refer to Optional Items and Accessories for Details.

COLOURS

Chrome

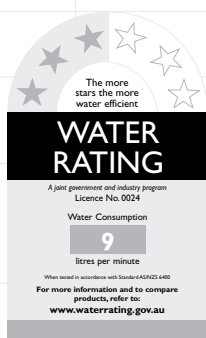
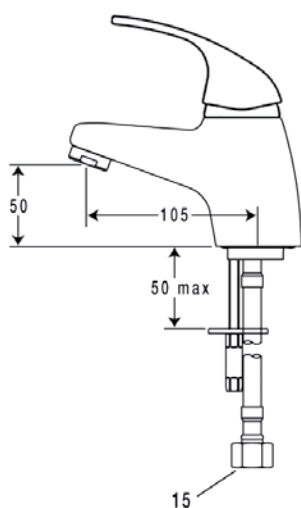
APPROVALS AS3718

Manufactured in DR brass
AS/NZS 6400 (WELS)

CODES

4L50-7070

4L50 Basin Mixer



AWARD BRANDS

(03) 9871 8444 / 1800 354 435 (Outside Victoria)

FM Mattsson
- Different on the inside

FM Mattsson Technical Specifications 6

4L60 Bidet Mixer



APPLICATION

Over the rim type bidet mixer with a pop-up waste. For use with bidets up to 40mm thickness. The mixer can be connected directly to the water mains. An air gap is provided between the mixer outlet and the spillover level of the bidet. Therefore there is no possibility of backflow or cross connection. Supplied with copper tails.

TAP HOLE

Tap hole diameter between 32-35mm.

FEATURES

- Softclose™ ceramic cartridge prevents water hammer.
- Water supply pressure 50-1000kPa.
- Recommended operating pressure 100-500kPa.
- Adjustable flow control.
- Adjustable hot water limitation.
- Low noise filters.
- 10 year warranty on cartridge.
- Made in Sweden.

COLOURS

Chrome

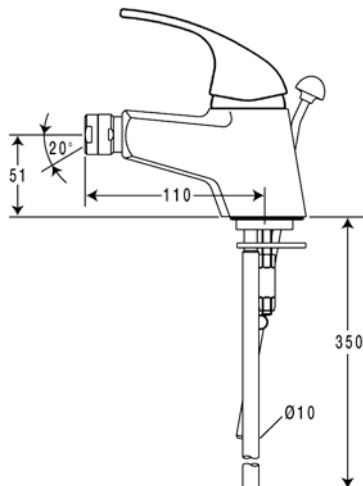
APPROVALS AS3718

Manufactured in DR brass

CODES

4L60-7070

4L60 Bidet Mixer



4L75 Concealed Bath or Shower Mixer



APPLICATION

The Concealed Bath or Shower Mixer suits shower only or bath only installation. The 130mm compact cover plate slides over the mixer body for quick and easy installation.

FEATURES

- Softclose™ ceramic cartridge prevents water hammer.
- Water supply pressure 50-1000kPa.
- Recommended operating pressure 100-500kPa.
- Adjustable flow control.
- Adjustable hot water limitation.
- Low noise filters.
- 10 year warranty on cartridge.
- Made in Sweden.

COLOURS

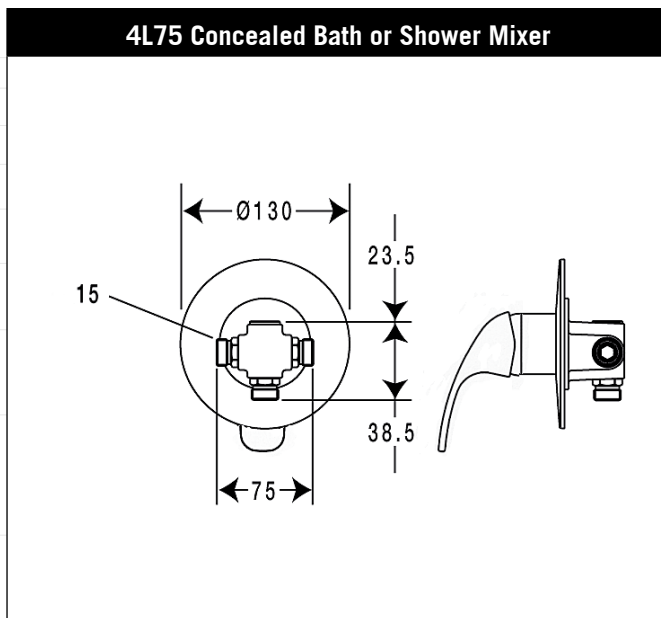
Chrome

APPROVALS AS3718

Manufactured in DR brass

CODES

4L75-7070



4L77 Concealed Bath or Shower Mixer



APPLICATION

The Concealed Bath or Shower Mixer suits shower only or bath only installation. The large 188mm by 200mm cover plate is an attractive addition to any bathroom.

FEATURES

- Softclose™ ceramic cartridge prevents water hammer.
- Water supply pressure 50-1000kPa.
- Recommended operating pressure 100-500kPa.
- Adjustable flow control helps save water and stops unwanted splashing.
- Adjustable hot water limitation.
- Low noise filters.
- 10 year warranty on cartridge.
- Made in Sweden.

COLOURS

Chrome

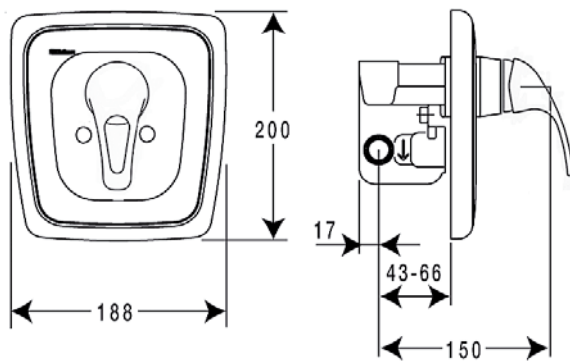
APPROVALS AS3718

Manufactured in DR brass

CODES

4L77-7070

4L77 Concealed Bath or Shower Mixer



4L78 Concealed Bath & Shower Mixer with Diverter



APPLICATION

The Concealed Bath & Shower Mixer is equipped with an integrated diverter. The large 188mm by 200mm cover plate is an attractive addition to any bathroom.

FEATURES

- Softclose™ ceramic cartridge prevents water hammer.
- Water supply pressure 50-1000kPa.
- Recommended operating pressure 100-500kPa.
- Adjustable flow control.
- Adjustable hot water limitation.
- Low noise filters.
- 10 year warranty on cartridge.
- Made in Sweden.

COLOURS

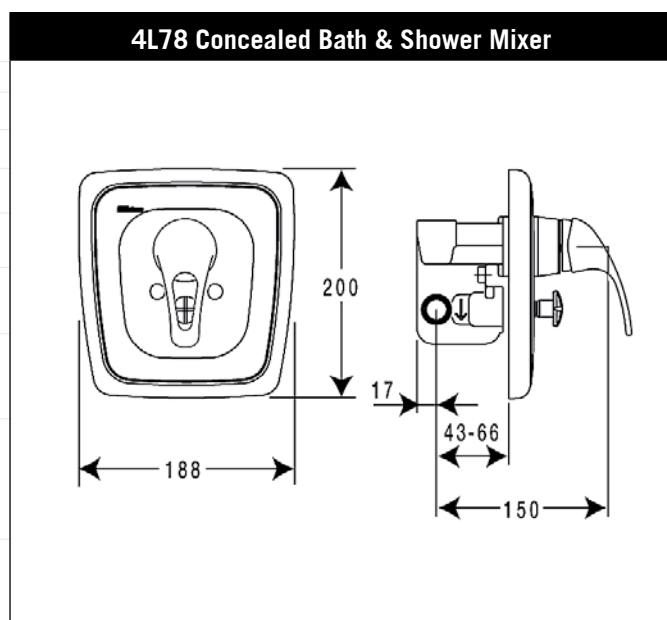
Chrome

APPROVALS AS3718

Manufactured in DR brass

CODES

4L78-7070



9000 Series

FEATURES

- Easy to use lever with loop handle.
- Softclose™ ceramic sealing cartridge prevents water hammer and leaking.
- Adjustable flow control helps save water and stops unwanted splashing.
- Adjustable temperature lock avoids accidental scalding.
- Australian Standards and WELS approved.
- Maximum hot water temperature 80 °C.
- Water supply pressure 50-1000kPa.
- Recommended operating pressure 100-500kPa.
- Maximum test pressure 1600kPa.
- Available with 145mm, 190mm or 290mm extended lever handles.
- Not recommended for use with domestic gravity-feed hot water systems.
- 10 year warranty on Softclose™ ceramic cartridge.
- 5 year warranty on all other parts.
- 12 months warranty on labour.
- 5 year warranty on chrome finish and 1 year on all other finishes.
- Made in Sweden.

9100 Sink Mixer (150mm or 250mm spout)



APPLICATION

Suitable for use with kitchen sinks or benchtops up to 50mm thickness. Supplied with 350mm flexible 15mm BSP tails for easy installation.

TAP HOLE

Tap hole diameter between 32-35mm.
Horseshoe washer and pin bolt for easy installation.

FEATURES

- Softclose™ ceramic cartridge prevents water hammer.
- Easy to use lever with loop handle.
- Water supply pressure 50-1000kPa.
- Recommended operating pressure 100-500kPa.
- Adjustable flow control.
- Adjustable hot water limitation.
- Low noise filters.
- 10 year warranty on cartridge.
- Spout can be restricted to 130 degrees movement if required.
- Made in Sweden.

OPTIONS

Available with 150 or 250mm* long spouts.
Refer to Optional Items and Accessories for details.

COLOURS

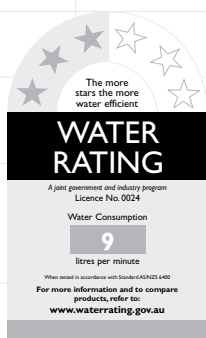
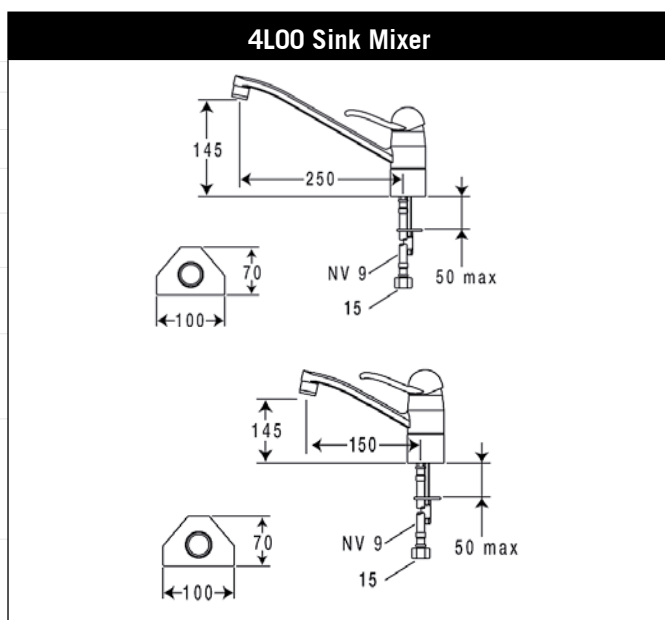
Chrome

APPROVALS AS3718

Manufactured in DR brass
AS/NZS 6400 (WELS)

CODES

9100-7070 - 250mm Spout
9100-7270 - 150mm Spout



AWARD BRANDS

(03) 9871 8444 / 1800 354 435 (Outside Victoria)

FM Mattsson
- Different on the inside

FM Mattsson Technical Specifications 12

9110 Gooseneck Sink Mixer



APPLICATION

Suitable for use with kitchen sinks or benchtops up to 50mm thickness. Supplied with 350mm flexible 15mm BSP tails for easy installation.

TAP HOLE

Tap hole diameter between 32-35mm.
Horseshoe washer and pin bolt for easy installation.

FEATURES

- High curved restricted or non-restricted spout.
- Softclose™ ceramic cartridge prevents water hammer.
- Easy to use lever with loop handle.
- Water supply pressure 50-1000kPa.
- Recommended operating pressure 100-500kPa.
- Adjustable flow control.
- Adjustable hot water limitation.
- Low noise filters.
- 10 year warranty on cartridge.
- Made in Sweden.

OPTIONS

Refer to Optional Items and Accessories for details.

COLOURS

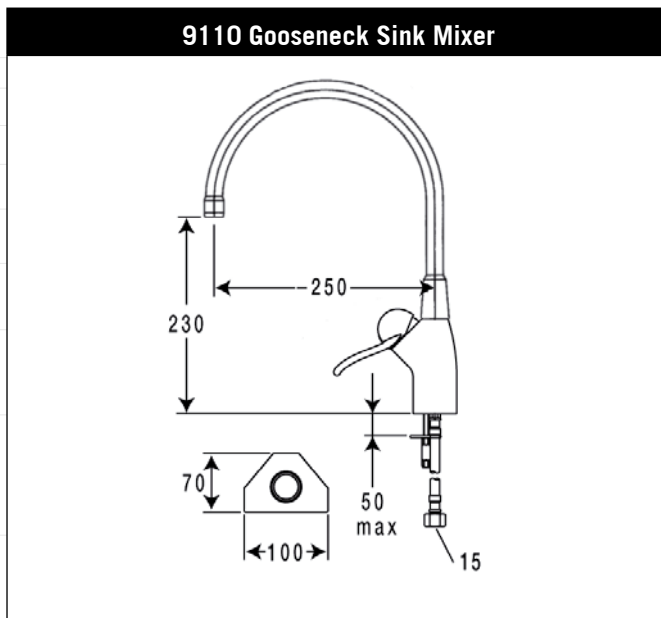
Chrome

APPROVALS AS3718

Manufactured in DR brass
AS/NZS 6400 (WELS)

CODES

9110-7070



9115 Sink Mixer with Pull-out Spray



APPLICATION

Suitable for use with sinks or vitreous china vanity basins or bench tops up to 23mm thickness. The pull-out hand piece with its flexible nylon hose provides a choice of two spray patterns selectable by pressing the touch pad on top of the hand piece. Applications as diverse as culinary or coiffure are equally suited for this product. Supplied with copper tails.

TAP HOLE

Tap hole diameter between 32-35mm.

FEATURES

- Swivel outlet with pull-out hand spray.
- Two patterns are selectable, either a central aerated stream or shower type spray.
- Non return valves are built into system to prevent the occurrence of backflow or cross connection.
- Softclose™ ceramic cartridge prevents water hammer.
- Easy to use lever with loop handle.
- Water supply pressure 50-1000kPa.
- Recommended operating pressure 100-500kPa.
- Adjustable flow control.
- Adjustable hot water limitation.
- Low noise filters.
- 10 year warranty on cartridge.
- Made in Sweden.

OPTIONS

Refer to Optional Items and Accessories for details.

COLOURS

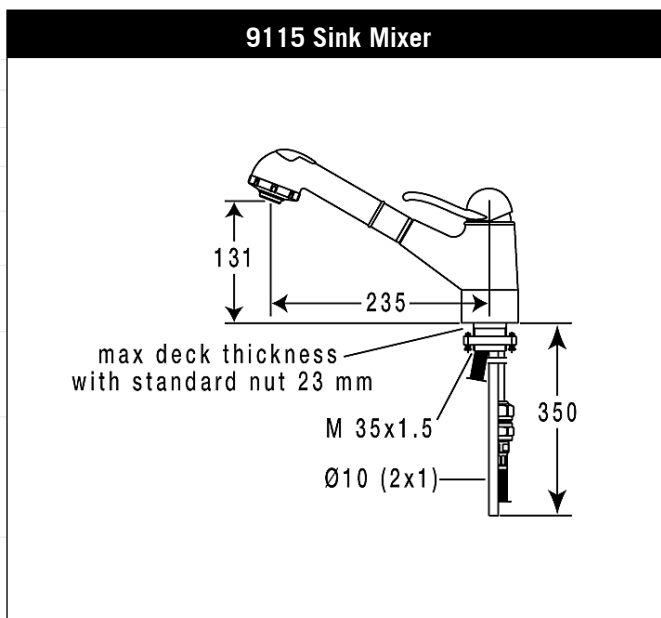
Chrome

APPROVALS AS3718

Manufactured in DR brass
AS/NZS 6400 (WELS)

CODES

9115-7070



9118 Bar Mixer



APPLICATION

Suitable for use with basins or benchtops up to 50mm thickness. Supplied with 350mm flexible 15mm BSP tails for easy installation.

TAP HOLE

Deck hole diameter between 32-35mm. Horseshoe washer and pin bolt for easy installation.

FEATURES

- Fixed Spout.
- Softclose™ ceramic cartridge prevents water hammer.
- Easy to use lever with loop handle.
- Water supply pressure 50-1000kPa.
- Recommended operating pressure 100-500kPa.
- Adjustable flow control.
- Adjustable hot water limitation.
- Low noise filters.
- 10 year warranty on cartridge.
- Made in Sweden.

OPTIONS

Refer to Optional Items and Accessories for details.

COLOURS

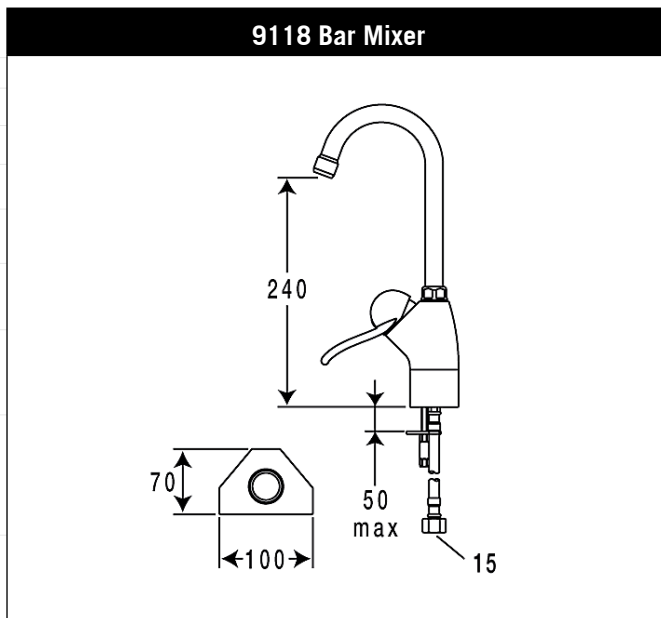
Chrome

APPROVALS AS3718

Manufactured in DR brass
AS/NZS 6400 (WELS)

CODES

9118-7070



AWARD BRANDS

(03) 9871 8444 / 1800 354 435 (Outside Victoria)

FM Mattsson
- Different on the inside

FM Mattsson Technical Specifications 15

9050 Basin Mixer



APPLICATION

Suitable for use with basins or benchtops up to 50mm thickness. Supplied with 350mm flexible 15mm BSP tails for easy installation.

TAP HOLE

Deck hole diameter between 32-35mm. Horseshoe washer and pin bolt for easy installation.

FEATURES

- Softclose™ ceramic cartridge prevents water hammer.
- Easy to use lever with loop handle.
- Water supply pressure 50-1000kPa.
- Recommended operating pressure 100-500kPa.
- Adjustable flow control.
- Adjustable hot water limitation.
- Low noise filters.
- 10 year warranty on cartridge.
- Made in Sweden.

OPTIONS

Refer to Optional Items and Accessories for details.

COLOURS

Chrome

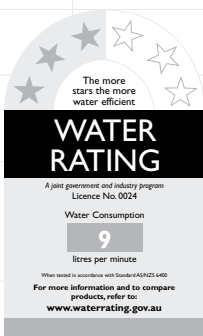
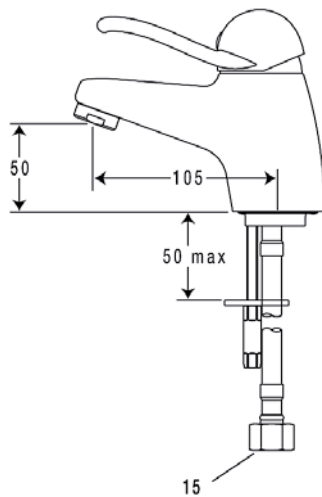
APPROVALS AS3718

Manufactured in DR brass
AS/NZS 6400 (WELS)

CODES

9050-7070

9050 Basin Mixer



9060 Bidet Mixer



APPLICATION

Over the rim type bidet mixer with a pop-up waste. For use with bidets up to 40mm thickness. The mixer can be connected directly to the water mains. An air gap is provided between the mixer outlet and the spillover level of the bidet. Therefore there is no possibility of backflow or cross connection. Supplied with copper tails.

TAP HOLE

Deck hole diameter between 32-35mm.

FEATURES

- Softclose™ ceramic cartridge prevents water hammer.
- Easy to use lever with loop handle.
- Water supply pressure 50-1000kPa.
- Recommended operating pressure 100-500kPa.
- Adjustable flow control.
- Adjustable hot water limitation.
- Low noise filters.
- 10 year warranty on cartridge.
- Made in Sweden.

COLOURS

Chrome

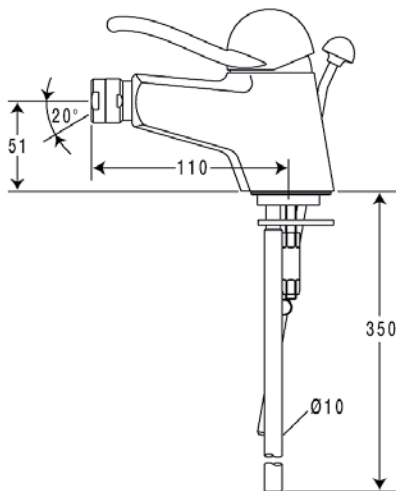
APPROVALS AS3718

Manufactured in DR brass

CODES

9060-7070

9060 Bidet Mixer



9175 Concealed Bath or Shower Mixer



APPLICATION

The Concealed Bath or Shower Mixer suits shower only or bath only installation. The 130mm compact cover plate slides over the mixer body for quick and easy installation.

FEATURES

- Softclose™ ceramic cartridge prevents water hammer.
- Easy to use lever with loop handle.
- Water supply pressure 50-1000kPa.
- Recommended operating pressure 100-500kPa.
- Adjustable flow control.
- Adjustable hot water limitation.
- Low noise filters.
- 10 year warranty on cartridge.
- Made in Sweden.

COLOURS

Chrome

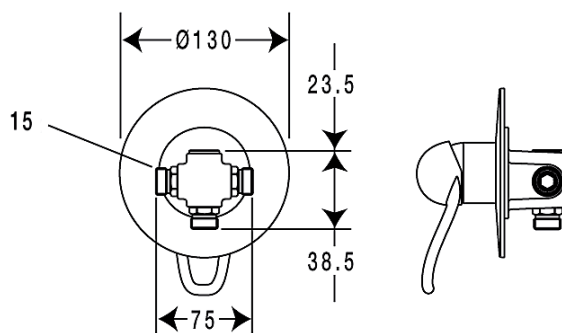
APPROVALS AS3718

Manufactured in DR brass

CODES

9175-7070

9175 Concealed Bath or Shower Mixer



9177 Concealed Bath or Shower Mixer



APPLICATION

The Concealed Bath or Shower Mixer suits shower only or bath only installation. The large 188mm by 200mm cover plate is an attractive addition to any bathroom.

FEATURES

- Softclose™ ceramic cartridge prevents water hammer.
- Easy to use lever with loop handle.
- Water supply pressure 50-1000kPa.
- Recommended operating pressure 100-500kPa.
- Adjustable flow control.
- Adjustable hot water limitation.
- Low noise filters.
- 10 year warranty on cartridge.
- Made in Sweden.

COLOURS

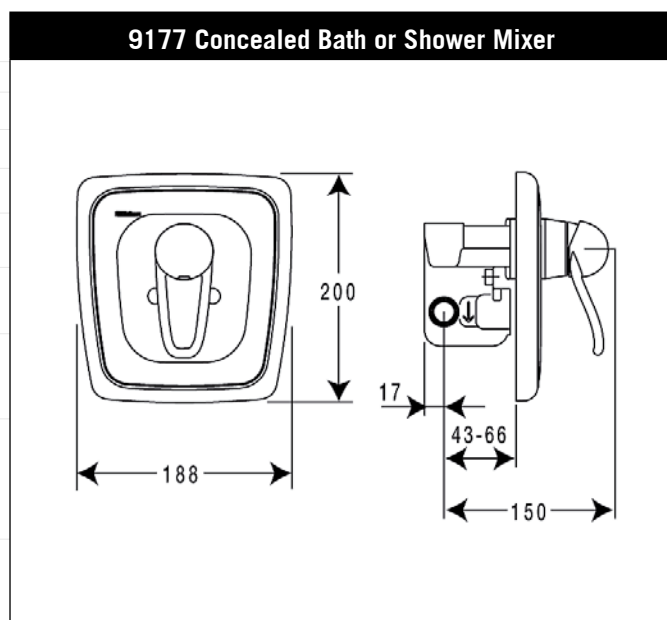
Chrome

APPROVALS AS3718

Manufactured in DR brass

CODES

9177-7070



9178 Concealed Bath & Shower Mixer with Diverter



APPLICATION

The Concealed Bath & Shower Mixer is equipped with an integrated diverter. The large 188mm by 200mm cover plate is an attractive addition to any bathroom.

FEATURES

- Softclose™ ceramic cartridge prevents water hammer.
- Easy to use lever with loop handle.
- Water supply pressure 50-1000kPa.
- Recommended operating pressure 100-500kPa.
- Adjustable flow control.
- Adjustable hot water limitation.
- Low noise filters.
- 10 year warranty on cartridge.
- Made in Sweden.

COLOURS

Chrome

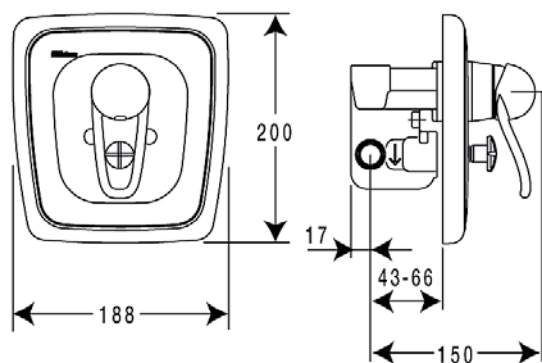
APPROVALS AS3718

Manufactured in DR brass

CODES

9178-7070

9178 Concealed Bath & Shower Mixer with Diverter



Lady G Series

FEATURES

- Easy to operate loop handle.
- Softclose™ ceramic sealing cartridge prevents water hammer and leaking.
- Adjustable flow control helps save water and stops unwanted splashing.
- Adjustable temperature lock avoids accidental scalding.
- Australian Standards and WELS approved.
- Maximum hot water temperature 80 °C.
- Water supply pressure 50-1000kPa.
- Recommended operating pressure 100-500kPa.
- Maximum test pressure 1600kPa.
- Not recommended for use with domestic gravity-feed hot water systems.
- 10 year warranty on ceramic Softclose™ ceramic cartridge.
- 5 year warranty on all other parts.
- 12 months warranty on labour.
- 5 year warranty on chrome finish and 1 year on all other finishes.
- Made in Sweden.

4500 Sink Mixer



APPLICATION

Suitable for use with kitchen sinks or benchtops up to 50mm thickness. Supplied with 350mm flexible 15mm BSP tails for easy installation.

TAP HOLE

Tap hole diameter between 32-35mm.
Horseshoe washer and pin bolt for easy installation.

FEATURES

- Softclose™ ceramic cartridge prevents water hammer.
- Restricted Cast spout.
- Water supply pressure 50-1000kPa.
- Recommended operating pressure 100-500kPa.
- Adjustable flow control.
- Adjustable hot water limitation.
- Low noise filters.
- 10 year warranty on cartridge.
- Made in Sweden.

COLOURS

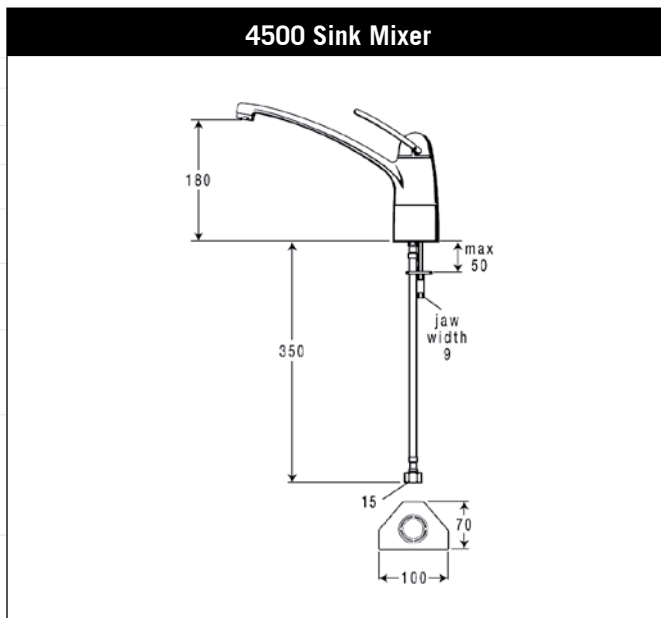
Chrome

APPROVALS AS3718

Manufactured in DR brass
AS/NZS 6400 (WELS)

CODES

4500-7070



4550 Basin Mixer



APPLICATION

Suitable for use with basins or benchtops up to 50mm thickness. Supplied with 350mm flexible 15mm BSP tails for easy installation.

TAP HOLE

Tap hole diameter between 32-35mm. Horseshoe washer and pin bolt for easy installation.

FEATURES

- Softclose™ ceramic cartridge prevents water hammer.
- Water supply pressure 50-1000kPa.
- Recommended operating pressure 100-500kPa.
- Adjustable flow control.
- Adjustable hot water limitation.
- Low noise filters.
- 10 year warranty on cartridge.
- Made in Sweden.

COLOURS

Chrome

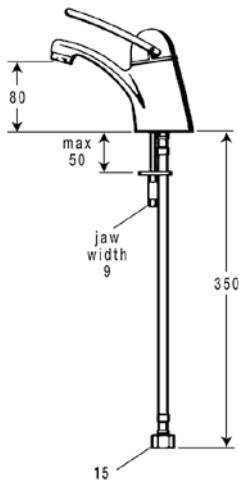
APPROVALS AS3718

Manufactured in DR brass AS/NZS 6400 (WELS)

CODES

4550-7070

4550 Basin Mixer



AWARD BRANDS

(03) 9871 8444 / 1800 354 435 (Outside Victoria)

FM Mattsson
- Different on the inside

FM Mattsson Technical Specifications 23

Pressure Balanced Thermostatic Mixers

FM Mattsson Pressure Balanced Thermostatic Mixing Valves (PBTMVs) are designed to deliver tempered water at an even, preset temperature by compensating for any changes of pressure or temperature in the incoming hot and cold water. They are usually used with single outlet fixtures but can be used to control more than one fixture.

Thermostatic Mixing Valves are designed to handle temperature variations and moderate pressure changes in the water supply system. **THEY CANNOT COPE WITH SUDDEN PRESSURE PEAKS.**

Pressure Controlled Mixing Valves are designed to cope with variations in pressure in the water supply system. **THEY CANNOT COPE WITH FLUCTUATING TEMPERATURES.**

FM Mattsson Pressure Balanced Thermostatic Mixing Valves combine these two actions in one cartridge. No matter what happens in the pipe work, the mixed water temperature will stay within + or - 2°C of the set temperature.

FEATURES AND BENEFITS

- One Pressure Balanced Thermostatic Mixing Valve is able to supply TEMPERED water to multiple outlets in a bathroom.
- One world patented control cartridge, common to all FM Mattsson PBTMVs, provides both thermostatic control and pressure balancing.
- No more unpleasant showers, always a constant temperature + or - 2°C.
- Fail safe system prevents scalding in the event of cold water supply failure.
- Safe for people of all ages – temperature knob supplied with child safety lock to prevent scalding (mechanism can be manually overridden by an adult).
- Also available with fixed temperature knobs to prevent unauthorised interference.
- Also available in stainless steel cabinets for concealed installation.
- Complete with built-in line strainers/non return valves on both hot and cold inlets.
- All valves are factory pre-set to 38°C (can be re-calibrated by a licensed plumber).
- Maximum Dynamic Ratio 13:1.
- Supplied with 20mm inlets (except 5190 and 9230 which are supplied with 15mm inlets) and 15mm outlets.
- 5193 is supplied with one 20mm outlet and one 15mm outlet (can be used for high flow demand such as shower blocks).
- Brass bodies are made from DR (dezincification resistant) brass.
- Helps save on water and energy bills due to increased efficiency.

APPROVALS

- Australian Standard 4032.1 - Water Supply – Valves for the control of heated water supply temperatures - Thermostatic mixing valves. Materials design and performance requirements.
- NSW Health Department - 5190-8070, 5193-8070 and the 9230 series of PBTMVs only.

INSTALLATION REQUIREMENTS

Cold water supply temperature	5°C - 25°C
Hot water supply temperature	50°C - 80°C
Water supply pressure	50 - 1000kPa
Recommended working pressure	100kPa - 700kPa
Pressure tested to	1600kPa
Min flow rate	4 litres/minute

WARRANTY (Terms, conditions and proof of purchase apply. Contact Award Brands Pty Ltd for full details.)

- Control Cartridge - 10 years plus 5 years on replacement cartridges purchased after the 10 year period
- Component Parts - 5 years
- Labour - 12 months

9220 Concealed Pressure Balanced Thermostatic Bath or Shower Mixer (With Flow Control & Adjustable Temperature)



APPLICATION

Suitable for Bath or Shower, comes with flow control and temperature control with automatic pressure balancing control. For use anywhere a constant temperature is required.

INSTALLATION

Fits into 62mm - 78mm stud wall.
Comes with G3/4" inlets and outlets.

FEATURES

- Thermostatic temperature control and pressure balancing control in one cartridge.
- "Child" safety lock prevents unintentional temperature increases.
- No more unpleasant showers, always a constant temperature + or - 2°C.
- Factory pre-set to 38°C (can be re-calibrated by plumber).
- Operates from Min 50kPa to Max 1000kPa.
- Recommended working pressure 100kPa to 700kPa.
- 10 year warranty on cartridge.
- Made in Sweden.

OPTIONS

Refer to Optional Items and Accessories for details.

COLOURS

Chrome

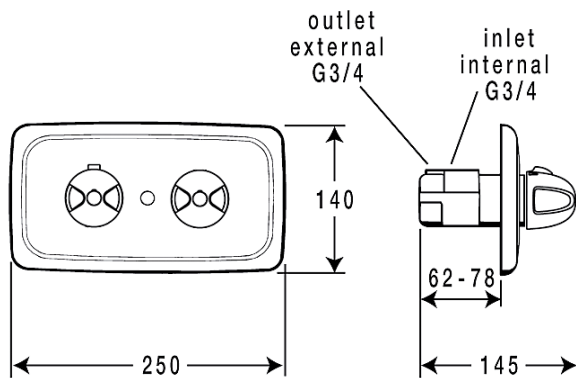
APPROVALS AS4032

Manufactured in DR brass

CODES

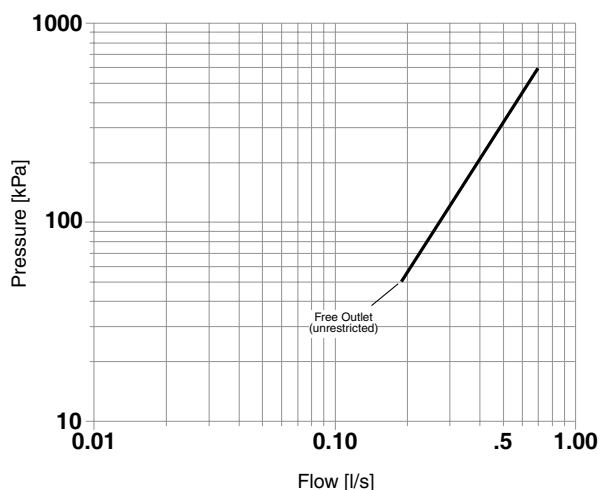
9220-7070

9220 Concealed PBT Bath/Shower Mixer



Flow Diagram

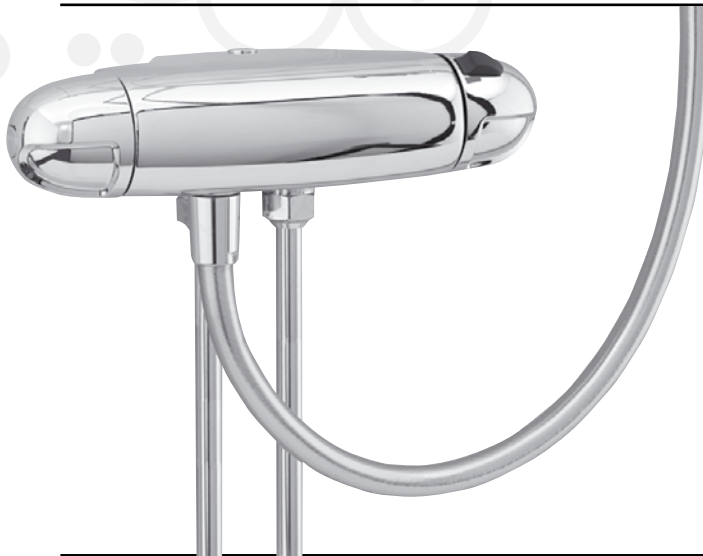
Pressure drop graph



Flow Table

Pressure(kPa)	Flow (l/min)
100	16.5
200	23.5
300	29
400	33
500	37
600	40.5

9250 Pressure Balanced Thermostatic Shower Mixer



APPLICATION

Suitable for hospitals, nursing homes and child care centres. Shower mixer comes with 15mm BSP hand shower connection. Ideal for hair dressing salons or anywhere a constant temperature is required.

INSTALLATION

Mixing valve is fixed to the wall by a removeable wall adapter. 15mm BSP inlets and outlets. Ideal for retro fitting.

FEATURES

- Thermostatic temperature control and pressure balancing control in one cartridge.
- "Child" safety lock prevents unintentional temperature increases.
- No more unpleasant showers, always a constant temperature + or -2°C.
- Factory pre-set to 38°C* (can be re-calibrated by plumber).
- Comes with check valves and line strainers.
- Operates from Min 50kPa to Max 1000kPa.
- Recommended working pressure 100kPa to 700kPa.
- 10 year warranty on cartridge.
- Made in Sweden.

OPTIONS

Refer to Optional Items and Accessories for details.

COLOURS

Chrome

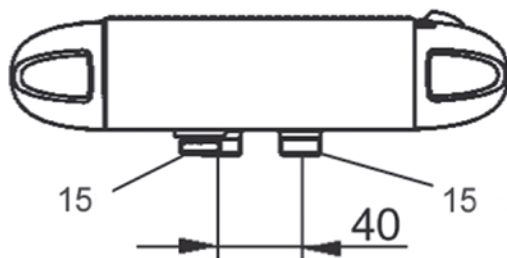
APPROVALS AS4032/4

Manufactured in DR brass

CODES

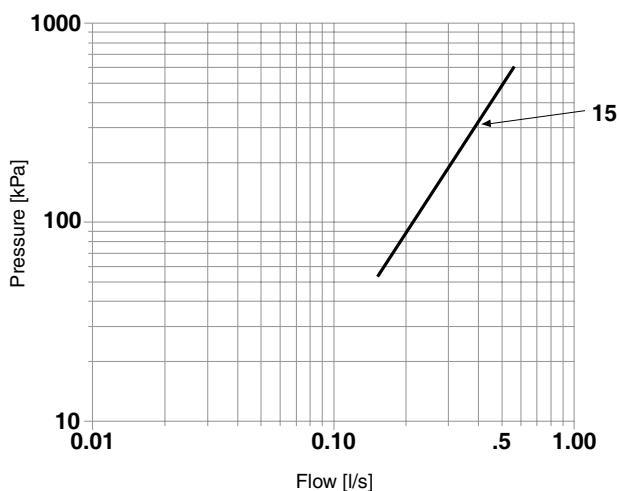
9250-7070

9250 PBT Shower Mixer



Flow Diagram

Pressure drop graph



Flow Table

Pressure(kPa)	Flow (l/min)
100	14
200	20
300	24
400	27
500	30
600	33

9210 Pressure Balanced Thermostatic Shower Mixer



APPLICATION

Suitable for domestic bathroom outlets, photo labs, hair dressing salons or food processing. For use anywhere a constant temperature is required. Shower mixer comes with 15mm BSP hand shower connection.

INSTALLATION

The valve is fitted with 19mm BSP connection nuts and requires pipework to be set at 150-153 c/c.

FEATURES

- Thermostatic temperature control and pressure balancing control in one cartridge.
- "Child" safety lock prevents unintentional temperature increases.
- No more unpleasant showers, always a constant temperature + or -2°C.
- Factory pre-set to 38°C (can be re-calibrated by plumber).
- Comes with check valves and line strainers.
- Operates from Min 50kPa to Max 1000kPa.
- Recommended working pressure 100kPa to 700kPa.
- 10 year warranty on cartridge.
- Made in Sweden.

OPTIONS

Refer to Optional Items and Accessories for details.

COLOURS

Chrome

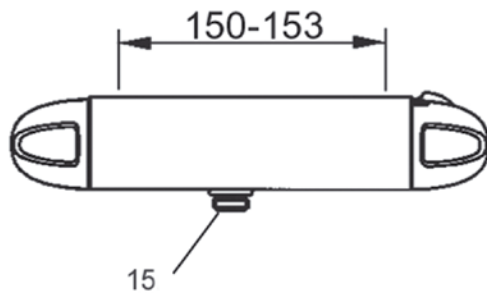
APPROVALS AS4032

Manufactured in DR brass

CODES

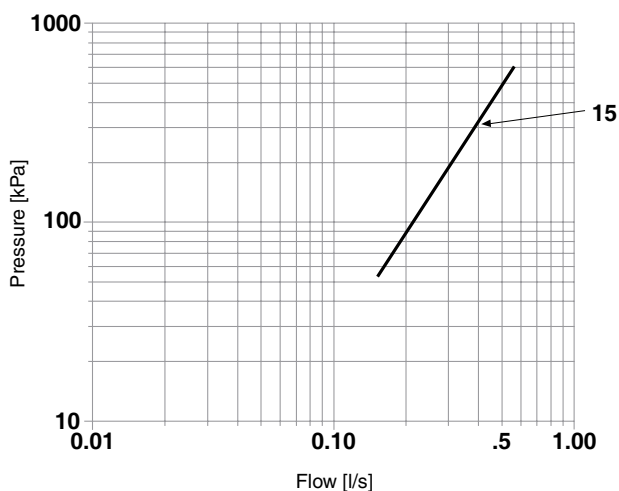
9210-7070

9210 PBT Shower Mixer



Flow Diagram

Pressure drop graph



Flow Table

Pressure(kPa)	Flow (l/min)
100	14
200	20
300	24
400	27
500	31
600	34

9230 Pressure Balanced Thermostatic Mixing Valve[#]



APPLICATION

Suitable for hospitals, nursing homes and child care centres. This unit is designed to deliver tempered water to single or multi point installations without the risk of unauthorised persons altering the preset temperature or flow.

INSTALLATION

Mixer is fitted with 15mm BSP (int) inlet nipple.

FEATURES

- Thermostatic temperature control and pressure balancing control all in one cartridge.
- Inbuilt non return valves and filters.
- Fixed temperature knob.
- No flow control knob.
- Can be supplied pre-plumbed in a stainless steel box (300 x 300 x 75mm) (refer to page 31 and 32 for details).
- Always a constant temperature of + or - 2°C.
- Factory pre-set to 38°C (can be re-calibrated by plumber).
- Operates from Min 50kPa to Max 1000kPa.
- Recommended working pressure 100kPa to 500kPa.
- 10 year warranty on cartridge.
- Made in Sweden.

OPTIONS

Refer to Optional Items and Accessories for details.

COLOURS

Valve - Raw brass
Temperature knob - Red

APPROVALS AS4032/4 & NSW HEALTH DEPARTMENT

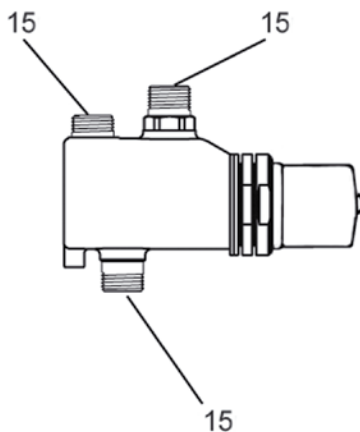
Manufactured in DR brass

CODES

9230-8070

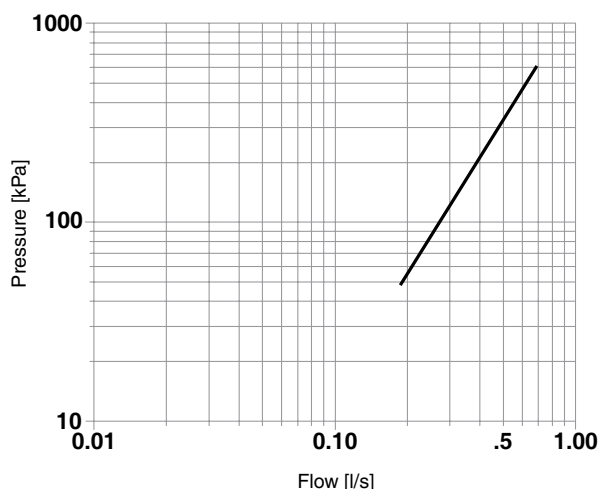
[#] Bath/Shower/Basin/Multi-Point Application

9230 PBT Mixing Valve



Flow Diagram

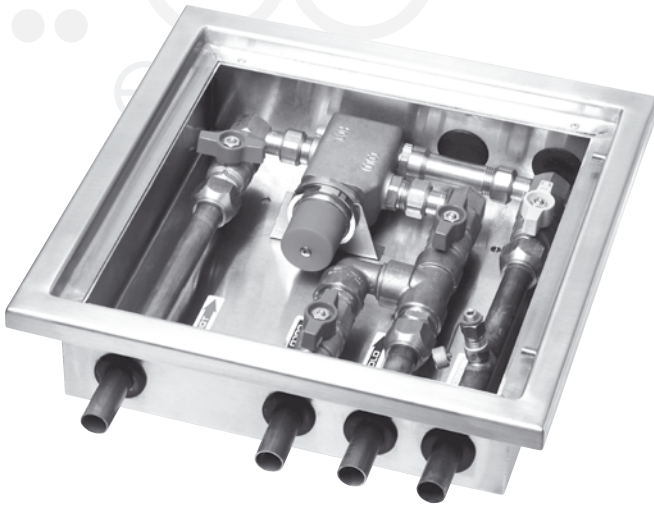
Pressure drop graph



Flow Table

Pressure(kPa)	Flow (l/min)
100	15.5
200	22.5
300	28
400	32.5
500	36.5
600	40.3

9230 Pre-plumbed Pressure Balanced Thermostatic Mixing Valve# (300X300X75mm Stainless Steel Box)



APPLICATION

Suitable for hospitals, nursing homes and child care centres and public areas. This unit is designed to deliver tempered water to single or multi point installations without the risk of unauthorised persons altering the preset temperature or flow.

INSTALLATION

The 9230 valve has been pre-plumbed with 20mm isolating ball valves and pipework and comes supplied in high quality stainless steel box (300 x 300 x 75mm) for concealed and exposed installation.

FEATURES

- Utilises the 9230 Pressure Balanced Thermostatic Bath/Shower/Mixer (with fixed temperature knob).
- The box has been purposely designed with pilot holes for easy fixing to stud work and 150mm extended pipes for joining to existing pipe work.
- Branch in cold water inlet pipe with 20mm ball valve to enable continuous supply of cold water whilst the mixer is being serviced.
- Binder Test Point for easy calibration.
- Lockable lid is keyed alike.
- Operates from Min 50kPa to Max 1000kPa.
- Recommended working pressure 100kPa to 500kPa.
- Made in Sweden.

COLOURS

Box - Stainless steel
Valve - Raw brass
Temperature knob - Red

APPROVALS AS4032/4 & NSW HEALTH DEPARTMENT

Manufactured in DR brass

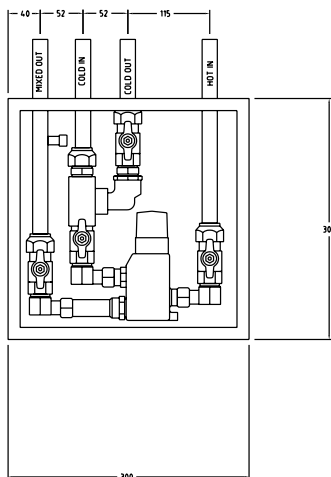
CODES (refer to Pg.32 for plumbing configurations)

- 4 pipe one way internal..... 9230-0001 Concealed box (with door frame and door)
- 4 pipe two way internal..... 9230-0002 Concealed box (with door frame and door)
- 4 pipe one way external..... 9230-0003 Exposed box (door only, no door frame)
- 4 pipe two way external..... 9230-0004 Exposed box (door only, no door frame)
- 3 pipe one way internal..... 9230-0005 Concealed box (with door frame and door)
- 3 pipe two way internal..... 9230-0006 Concealed box (with door frame and door)
- 3 pipe one way external..... 9230-0007 Exposed box (door only, no door frame)
- 3 pipe two way external..... 9230-0008 Exposed box (door only, no door frame)

Refer to flow table on p30.

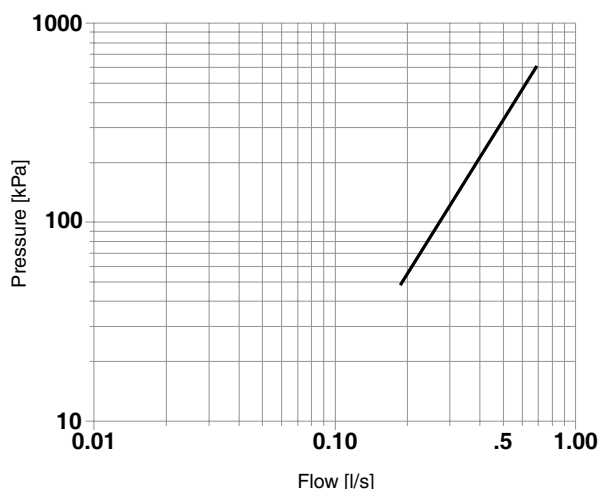
Bath/Shower/Basin/Multi-Point Application

9230 Pre-plumbed PBT Mixing Valve

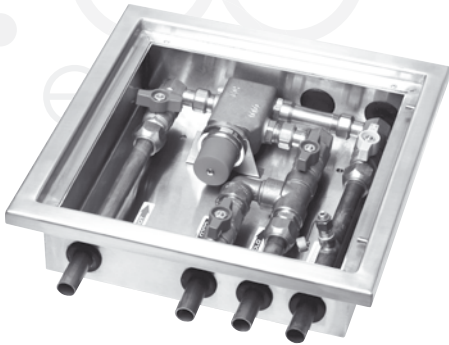


Flow Diagram

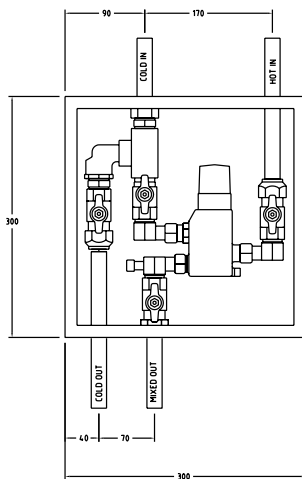
Pressure drop graph



9230 Pre-plumbed Pressure Balanced Thermostatic Mixing Valve# (300X300X75mm Stainless Steel Box)

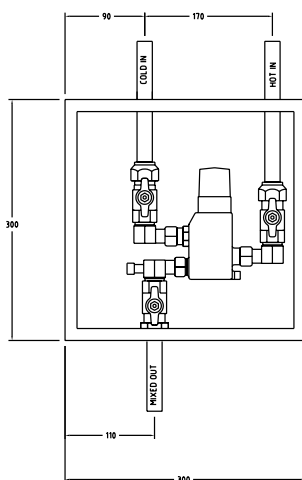


4 Pipes Two Ways



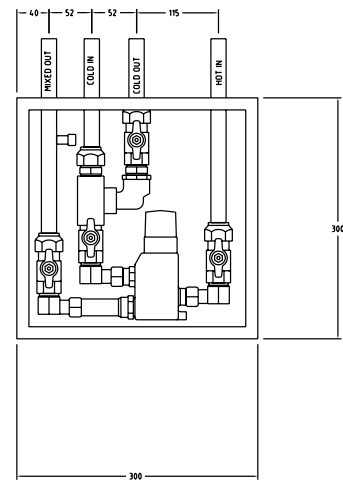
9230-0002 Concealed box (with door frame and door)
9230-0004 Exposed box (door only, no door frame)

3 Pipes Two Ways



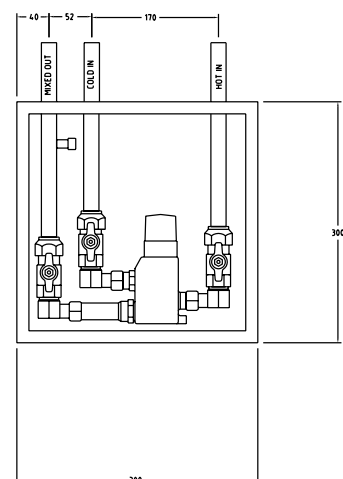
9230-0006 Concealed box (with door frame and door)
9230-0008 Exposed box (door only, no door frame)

4 Pipes One Way



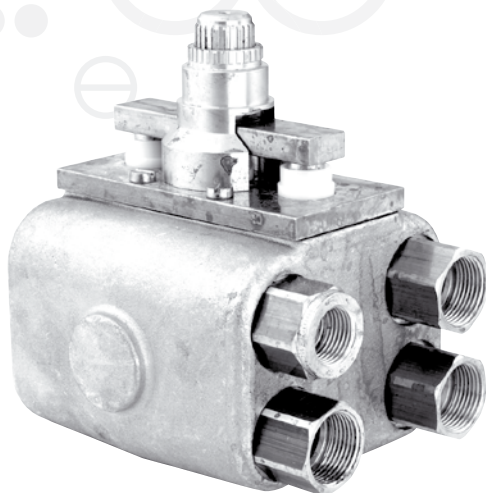
9230-0001 Concealed box (with door frame and door)
9230-0003 Exposed box (door only, no door frame)

3 Pipes One Way



9230-0005 Concealed box (with door frame and door)
9230-0007 Exposed box (door only, no door frame)

5193 Pressure Balanced Thermostatic High Flow 3/4" Mixing Valve# (With Fixed Temperature Knob)



APPLICATION

Suitable for hospitals, nursing homes, child care centres, multi pointing bathroom outlets, disabled facilities, large spa pools, gymnasiums, photo labs, hair dressing salons or food processing. For use anywhere a constant temperature is required.

INSTALLATION

Comes with 20mm hot and cold inlets with dual outlets 1x15mm and 1x20mm. This unit must have flow control devices fitted between it and each outlet.

FEATURES

- Thermostatic temperature control and pressure balancing control in one cartridge.
- Lock shield temperature knob for fixed temperature installation.
- Capable of delivering high volumes of tempered water.
- No more unpleasant showers, always a constant temperature + or - 2°C.
- Factory pre-set to 38°C (can be re-calibrated by plumber).
- Comes with check valves and line strainers built into the isolating valves supplied with the valve.
- Operates from Min 50kPa to Max 1000kPa.
- Recommended working pressure 100kPa to 500kPa.
- 10 year warranty on cartridge.
- Made in Sweden.

OPTIONS

Wall mounted stainless steel bracket.
Refer to Optional Items and Accessories for details.

COLOURS

Raw brass

APPROVALS AS4032 & NSW HEALTH DEPARTMENT

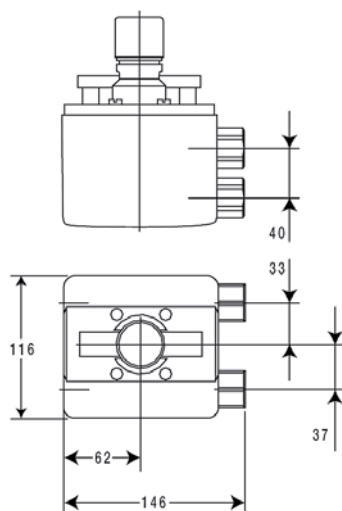
Manufactured in DR brass

CODES

5193-8070

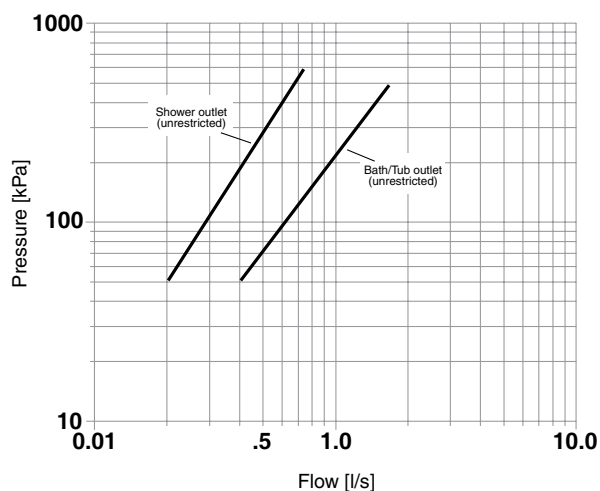
Bath/Shower/Basin/Multi-Point Application

5193 PBT High Flow 3/4" Mixing Valve



Flow Diagram

Pressure drop graph



Flow Table

Pressure(kPa)	15mm Outlet Flow (L/min)	20mm Outlet Flow
100	17	36
200	24	
300	29.5	75
400	34	
500	38	97.5
600	41.5	

5190-8070 Pressure Balanced Thermostatic Mixer#

(With Fixed Temperature Knob / Without Flow Control)



APPLICATION

Suitable for hospitals, nursing homes, child care centres, domestic housing-multi pointing bathroom outlets, disabled facilities, public areas, photo labs, hair dressing salons or food processing. For use anywhere a constant temperature is required.

INSTALLATION

Model 5190 is supplied with brackets for concealed installation but can be surface mounted using our surface mounting bracket Code 5190-0005 (not supplied with unit). Comes with dual G1/2" inlets and outlets. Wall-plate 130mm diameter. This unit must have flow control devices fitted between it and each outlet.

FEATURES

- Thermostatic temperature control and pressure balancing control in one cartridge.
- Supplied with a fixed temperature knob.
- Suitable for multiple outlet installation.
- No more unpleasant showers, always a constant temperature + or - 2°C.
- Factory pre-set to 38°C (can be re-calibrated by a plumber).
- Comes with check valves and line strainers.
- Operates from Min 50kPa to Max1000kPa.
- Recommended working pressure 100kPa to 700kPa.
- 10 year warranty on cartridge.
- Made in Sweden.

OPTIONS

Stainless steel surface mounting bracket available on request. Refer to Optional Items and Accessories for details.

COLOURS

Chrome

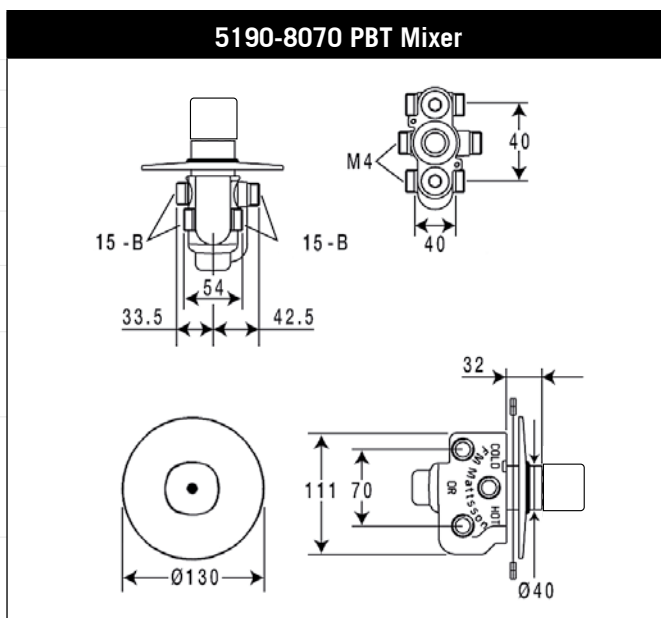
APPROVALS AS4032 & NSW HEALTH DEPARTMENT

Manufactured in DR brass

CODES

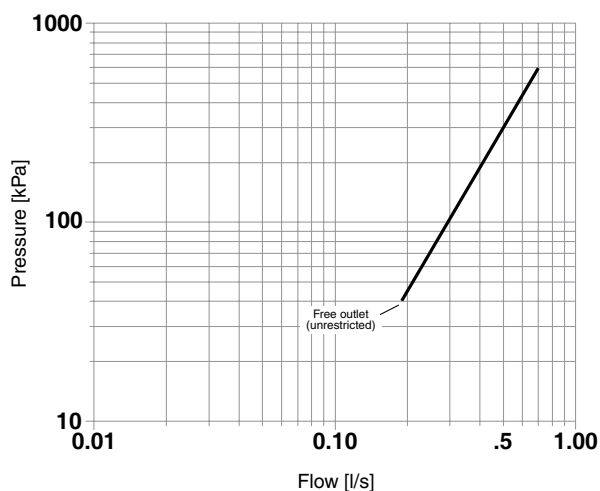
5190-8070

Bath/Shower/Basin/Multi-Point Application



Flow Diagram

Pressure drop graph



Flow Table	
Pressure(kPa)	Flow (l/min)
100	17
200	24
300	30
400	34.5
500	39
600	42.5

9219 Pressure Balanced Thermostatic Mixer#

(With Adjustable Temperature / Without Flow Control)



APPLICATION

Suitable for domestic housing-multi pointing bathroom outlets, photo labs, hair dressing salons or food processing. For use anywhere a constant temperature is required.

INSTALLATION

Model 9219 is supplied with brackets for concealed installation but can be surface mounted using our surface mounting bracket Code 5190-0005 (not supplied with unit). Comes with dual G1/2" inlets and outlets. Wall-plate 130mm diameter. This unit must have flow control devices fitted between it and each outlet.

FEATURES

- Thermostatic temperature control and pressure balancing control in one cartridge.
- Adjustable temperature.
- "Child" safety lock prevents unintentional temperature increases.
- No more unpleasant showers, always a constant temperature + or - 2°C.
- Factory pre-set to 38°C (can be recalibrated by plumber).
- Comes with check valves and line strainers.
- Operates from Min 50kPa to Max1000kPa.
- Recommended working pressure 100kPa to 700kPa.
- 10 year warranty on cartridge.
- Made in Sweden.

OPTIONS

Available with fixed temperature handle Ref Code 5190-8070. Stainless steel surface mounting bracket available on request. Refer to Optional Items and Accessories for details.

COLOURS

Chrome

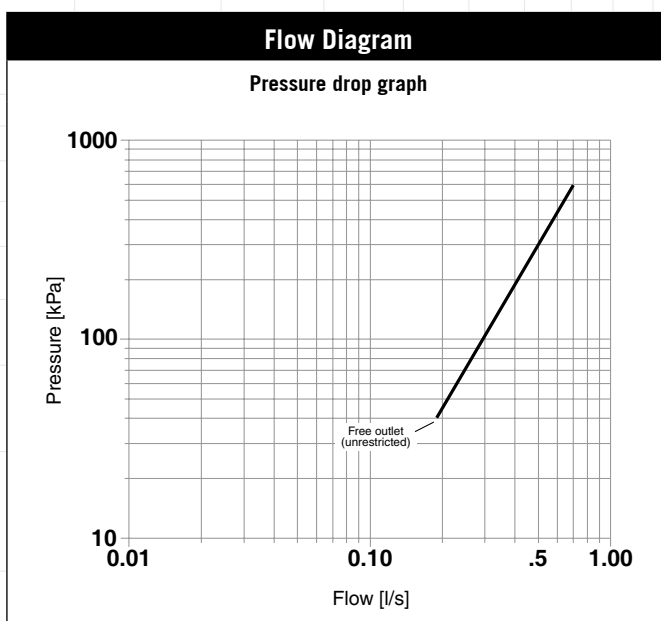
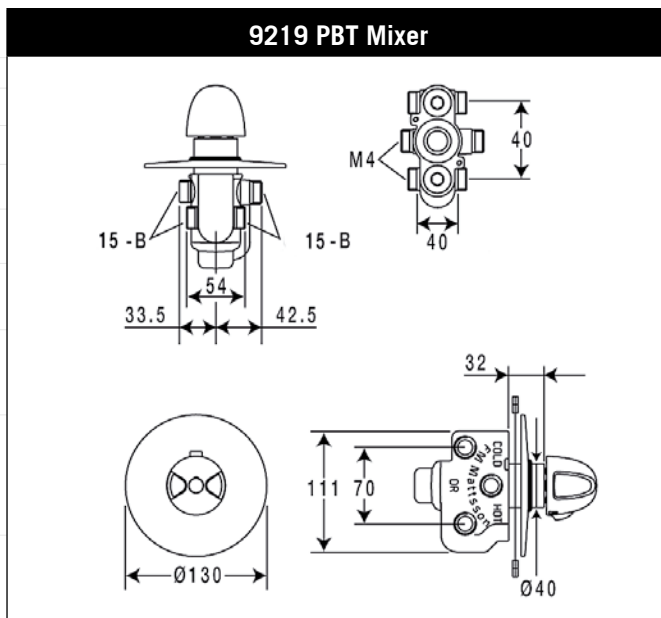
APPROVALS AS4032

Manufactured in DR brass

CODES

9219-7070

Bath/Shower/Basin/Multi-Point Application



Flow Table	
Pressure(kPa)	Flow (l/min)
100	17
200	24
300	30
400	34.5
500	39
600	42.5

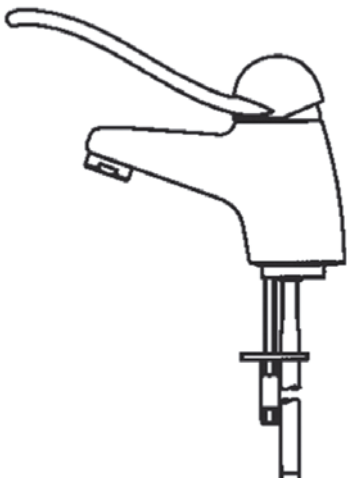
Optional Items and Accessories

FEATURES

- Optional items for sink and basin mixers.
- Wall mounting bracket.
- Spouts.
- Optional thermostatic knobs.

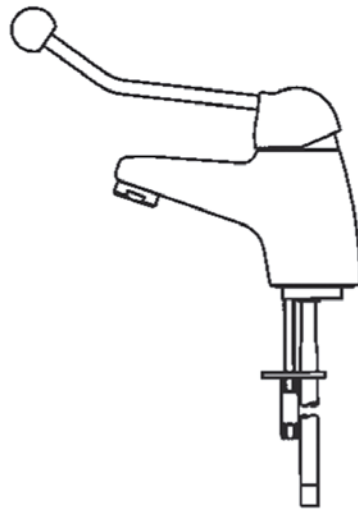
Optional Items and Accessories

5931-1450 Disabled Lever for Sink/Basin Mixers



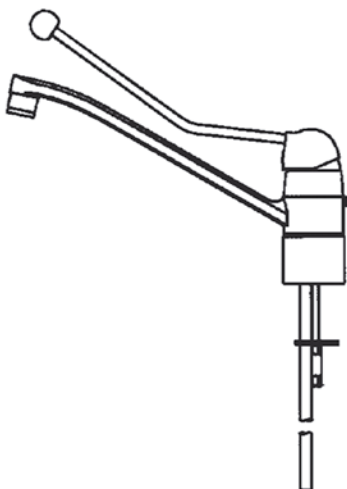
Lever length 145

5935-1900 Disabled Lever for Sink/Basin Mixers



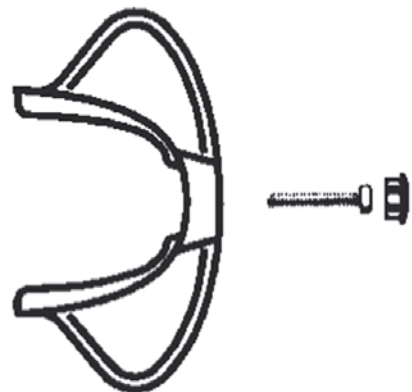
Lever length 190

5935-2900 Disabled Lever for Sink/Basin Mixers



Lever length 290

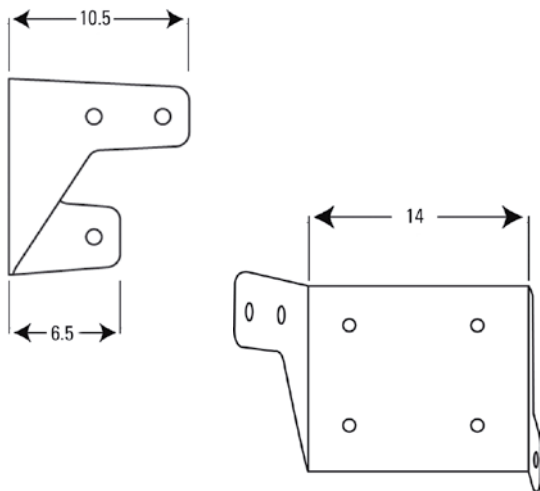
3597-0130 Disabled Wings for Thermostatic Knobs



Suits 9000 Series PBTMV knobs only

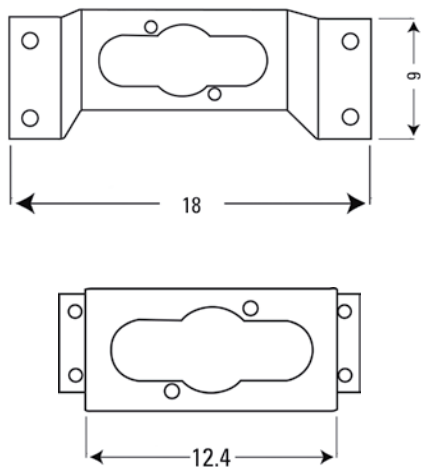
Optional Items and Accessories

3386-0006 Exposed Supporting Bracket



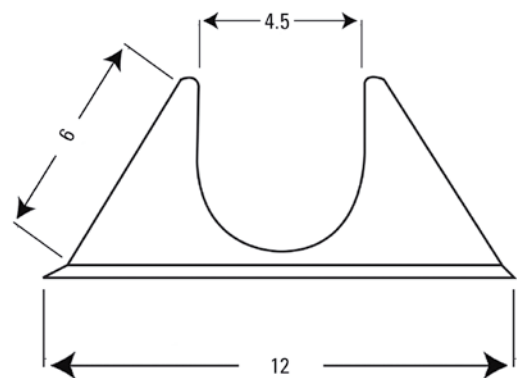
Suits 5193 PBT High Flow 3/4" Shower Mixer

5190-0005 Exposed Supporting Bracket



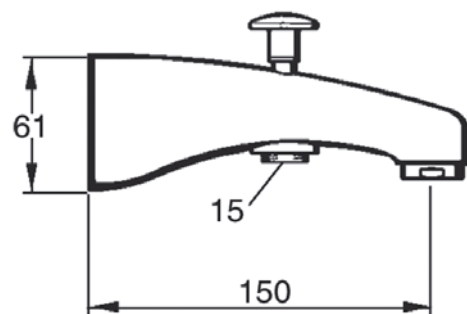
Suits 5190-8070 PBT Shower Mixer

9230-0009 Supporting Bracket



Suits 9230-8070 PBT Shower Mixer

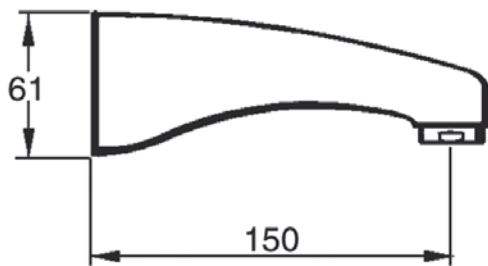
3395-7070 Spout with Diverter



Includes wall adapter 3399-7175

Optional Items and Accessories

3396-7070 Spout



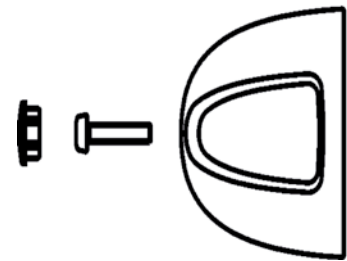
Includes wall adapter 3399-7175

3850-7070 Thermostatic Knob



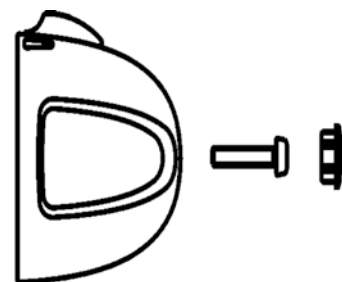
For fixed temperature setting on PBTM

3593-7070 Flow Handle



Suits 9000 Series PBTM

3594-7070 Temperature Knob



Suits 9000 Series PBTM

Certificates & Approvals

AUSTRALIA

NSW Health Department, Sydney, Australia

AS/NZS 3718 Water supply - Tap ware

AS/NZS 6400 Water efficient products - Rating and labelling

AS 4032.1 Water supply - Valves for the control of heated water supply temperatures - Thermostatic mixing valves - Materials design and performance requirements

UNITED KINGDOM

WRC Evaluation and Testing Centre, Oakdale, Gwent,
UK MSA Marine Safety Agency, London, UK

USA

NSF International, Ann Arbor, Michigan, USA
Food and Drug Administration, FDA, USA

CANADA

CSA, Canadian Standards Association, Montreal, Canada

SWEDEN

SITAC, Karlskrona, Sweden

DENMARK

ETA Danish board of European Technical
Approval for Construction Products, Denmark

FINLAND

Miljoministeriet (Environmental Department),
Helsinki, Finland

NORWAY

GNFS, Godkjenningsnemnda, Oslo, Norway