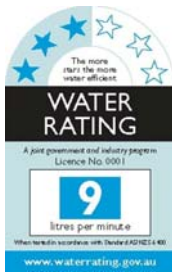


Features, Benefits & Tech Info



SHOWERS

* All codes are for chrome, unless otherwise stated

CONTENTS – Showers

Page No.	Product	Page No.	Product
3.	<u>SHOWERS ON RAIL</u>	45.	Trijet Handshower
4.	Plus Starsafe – Ecojet Neu	46.	Mystic Shower Outlet
5.	Ecojet Neu Shower on Rail	47.	Minko Shower Outlet
6.	Smartshower	48.	Jovian Shower Outlet
7.	Dynajet Medio Shower	49.	Arc Shower Outlet
8.	Dynajet Solo Shower	50.	Conceda Shower Outlet
9.	Designo Shower System	51.	Nutra Shower Outlet
10.	Designo Shower Set	52.	Invigra Shower Outlet
11.	Clear Shower Set	53.	Novajet 1,2,3 Shower Outlet
12.	Purejet Shower Set	54.	Design Shower Outlet
13.	Liano Shower on Rail	55.	Facit Overhead Shower Outlet
14.	Mystic Shower on Rail	56.	Rain Shower
15.	Minko Shower System	57.	Tiber Shower
16.	Minko Shower on Rail	58.	Indus Shower Outlet
17.	Jovian Shower System	59.	Myriad Shower Outlet
18.	Jovian Shower on Rail	60.	Motif Shower Outlet
19.	Arc Shower System	61.	Retro & Metro Shower Outlets
20.	Arc Shower on Rail	62.	Liano Shower Outlet
21.	Orbit Shower System 5	63.	Ingressi Shower
22.	Orbit Shower System 5 - Install	64.	Dorf Stayfast Shower
23.	Orbit Shower System 4	65.	Fixed All Directional Outlet
24.	Orbit Shower System 4 - Install	66.	Irwell Stayfast
25.	Conceda Shower on Rail	67.	No. 94 Shower Outlet
26.	Nutra Shower on Rail	68.	No. 77 Shower Outlet
27.	Invigra Shower on Rail	69.	<u>SHOWER SEATS</u>
28.	Trijet Premio Shower Set	70.	Plan Care Tip-Up Seats
29.	2Day Shower Set on Rail	71.	<u>MIXING VALVES</u>
30.	<u>HAND SHOWERS / SHOWER OUTLETS</u>	72.	Commercial TMV
31.	2Day Bath Set	73.	Designo Domestic TMV
32.	Ecojet Neu Handshower	74.	Star Domestic TMV
33.	Ecojet Neu 2 Handshower Set	75.	Ronda Domestic TMV
34.	XL Handshower	76.	Mix Neu Domestic TMV
35.	Duojet	77.	Piccolo Domestic TMV
36.	Liano Hand Shower	78.	Lux Shut Off Valve
37.	Mystic Hand Shower	79.	Lux Multi-Way Diverter
38.	Minko Hand Shower	80.	Warranty Info
39.	Jovian Hand Shower	81.	Warranty Info
40.	Arc Hand Shower		
41.	Conceda Hand Shower		
42.	Nutra Hand Shower		
43.	Invigra Hand Shower		
44.	Monojet Hand Shower		

SHOWERS ON RAIL

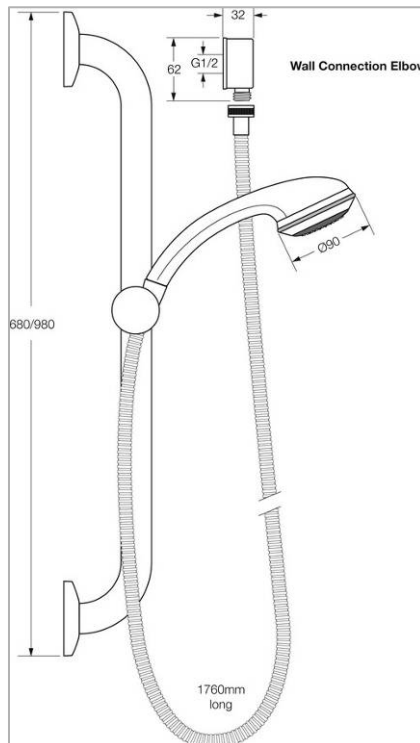
Plus Starsafe – Ecojet Neu



Virtu Plus Starsafe Shower Set – Ecojet Neu

Includes grab rail with durable adjustable slider, hand shower, flexi hose and wall elbow connection.

- 3 star WELS rated
- Grab rail - 304 brushed stainless steel
- Includes wall elbow and non-return valve
- Available in 600mm & 900mm lengths
- Suitable for PWD use in 900mm ONLY
- www.starion-industries.com
- **600mm Code# S/SAFE/C16**
- **900mm Code# S/SAFE/C19**



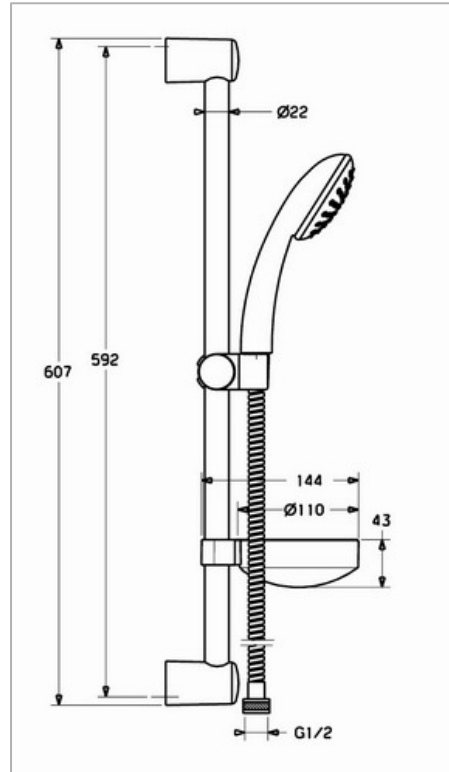
Ecojet Neu Shower on Rail



Hansa Ecojet Neu 1,2 or 3

Hand Shower & Rail

- 3 star WELS rated
- 5 year warranty
- 1750mm shower hose
- 600mm sliding wall bar
- Height adjustable & lockable slide mechanism
- www.hansataps.com



Spray Patterns:

Code# 447801100037 - Ecojet 1 – needle

Code# 447801200037 - Ecojet 2 – needle, massage

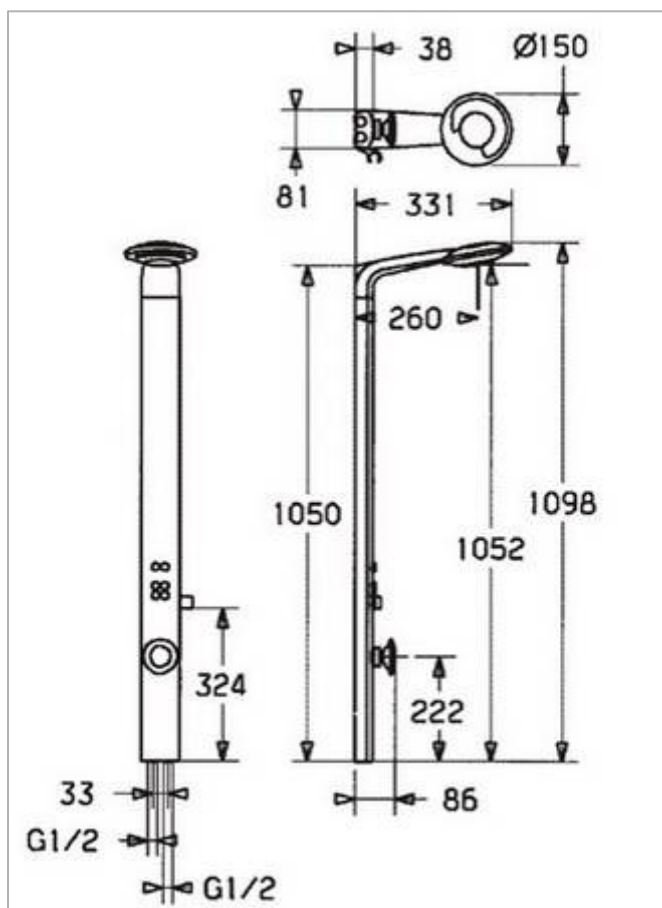
Code# 447801300037 - Ecojet 3 – needle, massage, soft

Smartshower



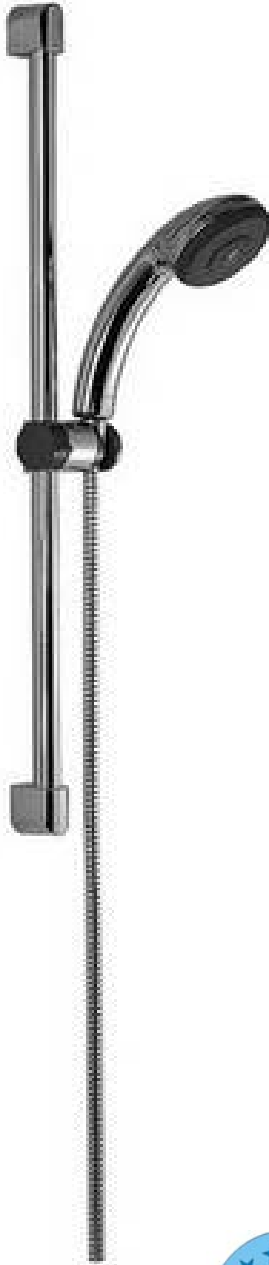
Hansa Smartshower

- Integrated shower system with press button activation of hydraulic flow or diversion
- 5 year product warranty (12 month warranty on JETCLEAN)
- Degree of Swivel = 30 degrees (body shower)
- 2 spray patterns – needle & soft
- www.hansataps.com
- **Code# 582001000037**



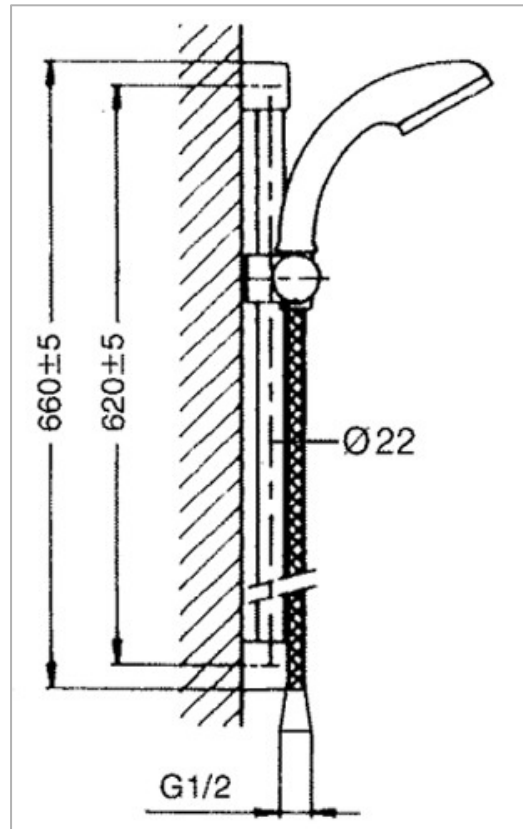
0 WELS rating

Dynajet Medio Shower

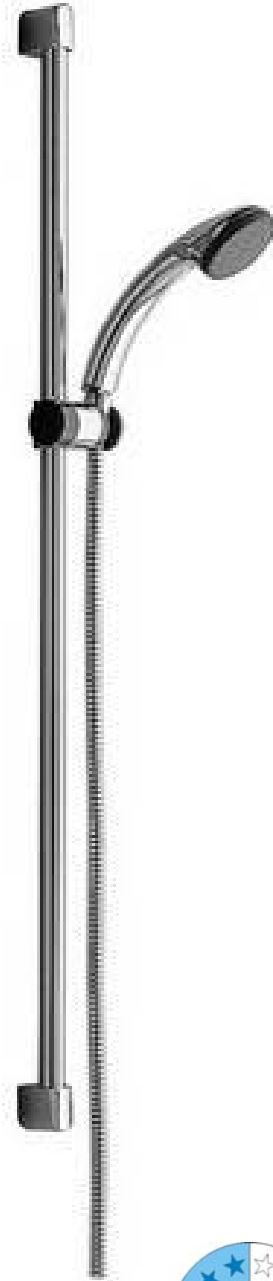


Hansa **Dynajet Medio** Shower

- 3 star WELS rated
- 5 year product warranty (12 month warranty on JETCLEAN)
- 2 spray patterns
- 600mm chrome rail
- *(Does not include wall elbow)*
- www.hansataps.com
- **Code# 040401500037**

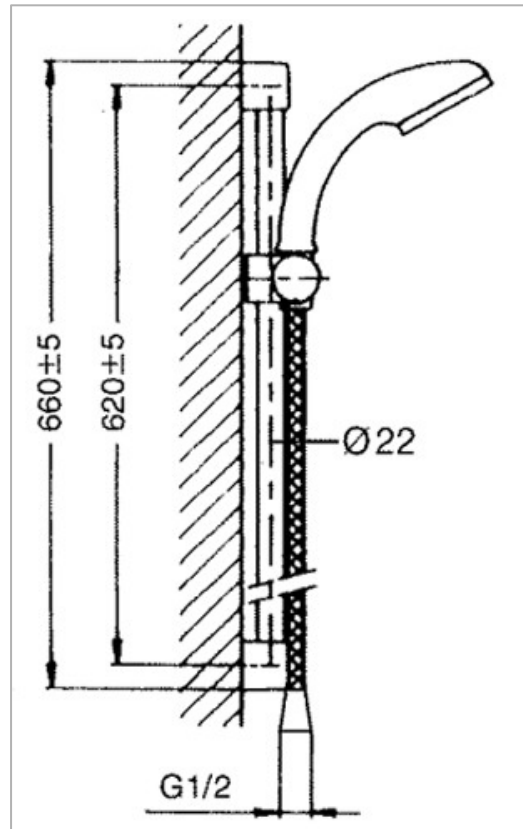


Dynajet Solo Shower



Hansa **Dynajet Solo** Shower

- 3 star WELS rated
- 5 year product warranty (12 month warranty on JETCLEAN)
- www.hansataps.com
- Code# 0403 0150 0037

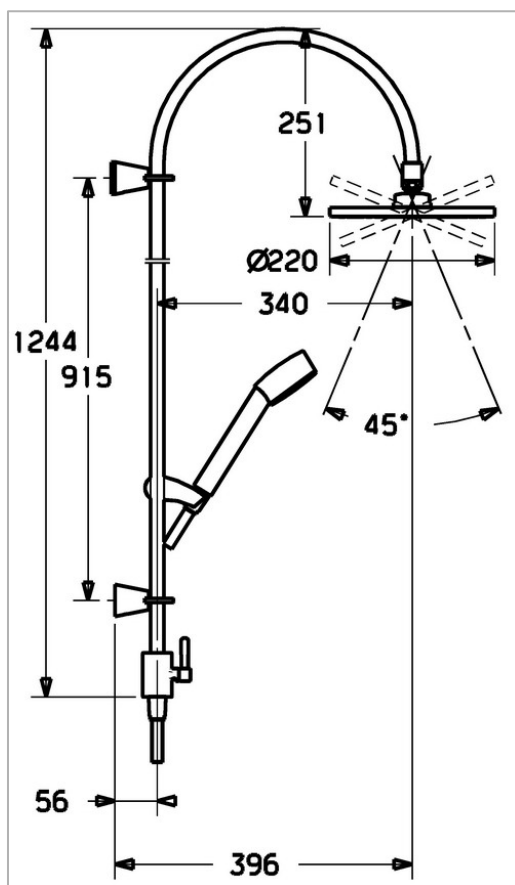


Designo Shower System



Hansa **Designo** Shower System

- 3 star WELS rating
- Includes Hansa Jetclean Technology
- Integrated shower system with water leading shower bar Water saving (9 litres/minute)
- www.hansataps.com
- Code# 518401000037



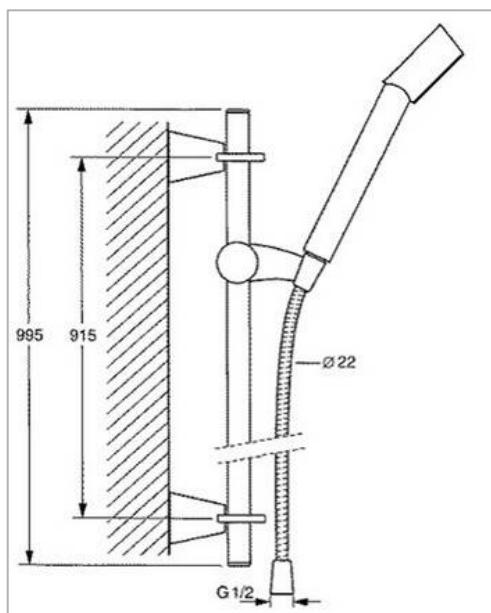
Designo Shower Set



Hansa Designo

Shower Set on Rail

- 3 star WELS rated
- Includes Hansa Jetclean Technology
- 1600mm Hansajet Shower Hose
- Revolving shower holder connection
- 600mm or 900mm Designo sliding wall bar
- Height adjustable & lockable slide mechanism
- Water saving (9 litres/minute)
- 5 Year Product Warranty
- Wall elbow included
- www.hansataps.com
- **600mm Code# 513701900037**
- **900mm Code# 511901900037**



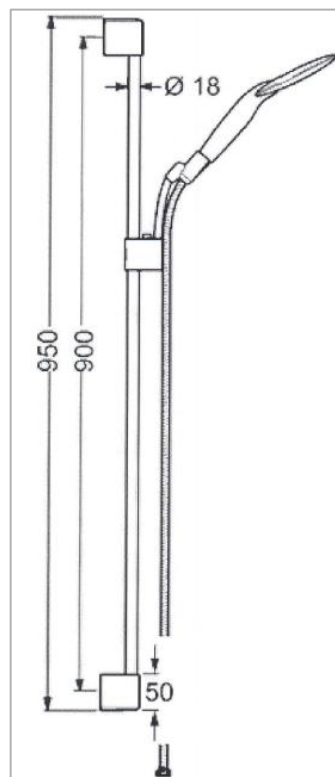
Clear Shower Set



Hansa Clear

Shower Set on Rail

- 3 star WELS rated
- 5 Year Product Warranty
- 1750mm Silverjet hose
- 900mm 2Day sliding wall bar
- Height adjustable & lockable slide mechanism
- Includes Hansa JETCLEAN Technology
- www.hansataps.com
- **Code# 0456 0320 7837**



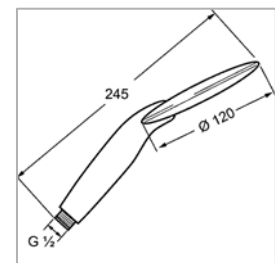
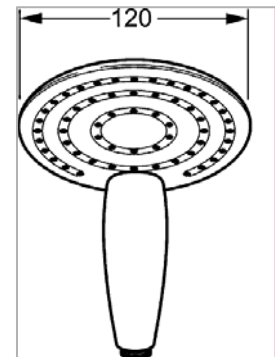
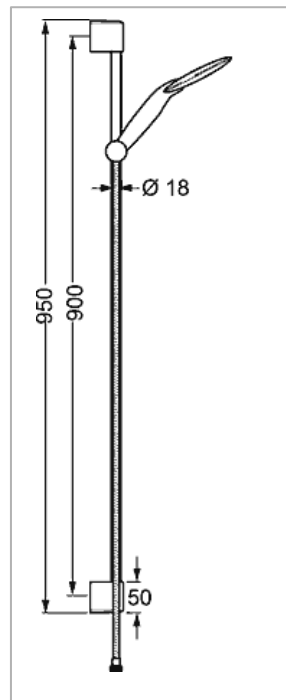
Purejet Shower Set



Hansa Purejet

Shower Set on Rail

- 3 star WELS rated
- 900mm 2Day sliding wall bar
- Height adjustable & lockable slide mechanism
- Includes Hansa JETCLEAN Technology
- Dirt collecting filter included
- www.hansataps.com
- **Code# 0456 0210 0037**



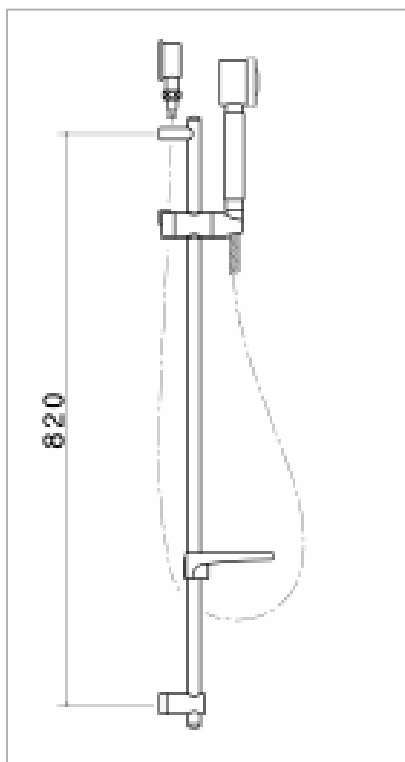
Liano Shower on Rail



Caroma Liano

Shower on Rail

- 3 star WELS rated
- Sleek, minimalist styling and striking chrome finish
- Four spray patterns to customise your showering experience
- Built in 'easy clean' technology prevents internal residue build up while 'smooth face' makes for trouble free external head cleaning
- High quality metal swivel hose eliminates coiling
- Includes soap dish
- Watermark approved to Australian Standards
- www.caroma.com.au
- **Code# 91014C3A**

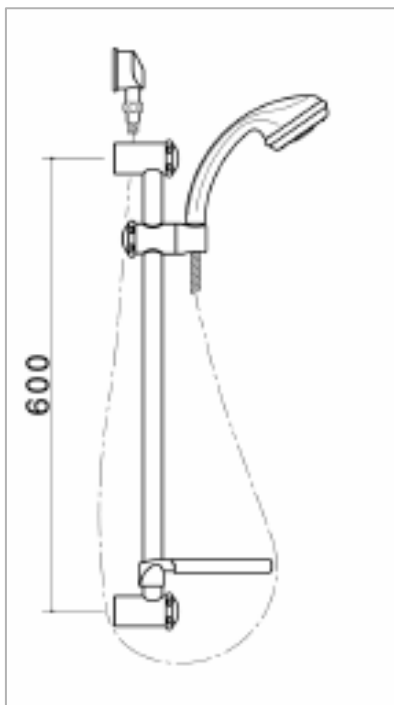


Mystic Shower on Rail



Caroma **Mystic** Shower on Rail

- 3 star WELS rated
- Five spray patterns for complete water control
- Swivel hose prevents kinking and coiling
- Solid brass shower rail for durability
- Includes soap dish
- Watermark approved to Australian standards
- www.caroma.com.au
- **Code# 91013C3A**

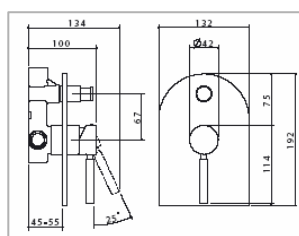
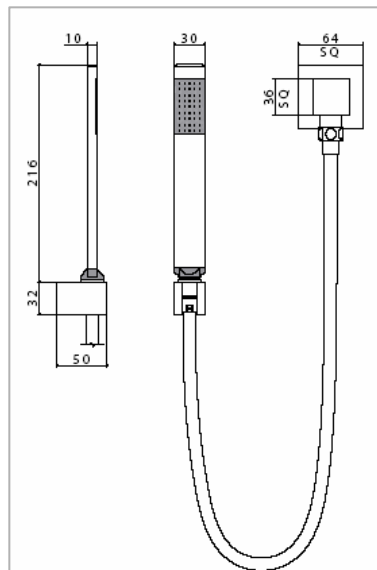
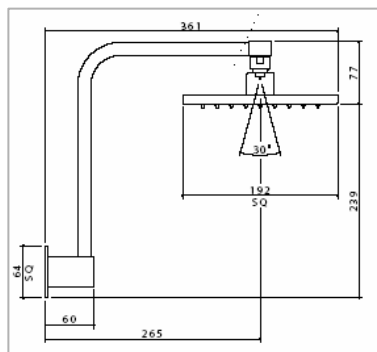


Minko Shower System



Dorf **Minko** Shower System

- 3 Star WELS rated
- European quality and finish with Oriental influenced design. Its sleek lines will transform the feel of any bathroom.
- Outstanding water-saving performer
- www.dorf.com.au
- **Code# 3367.043A**
Consists of shower outlet, hand shower and bath/shower mixer with diverter.

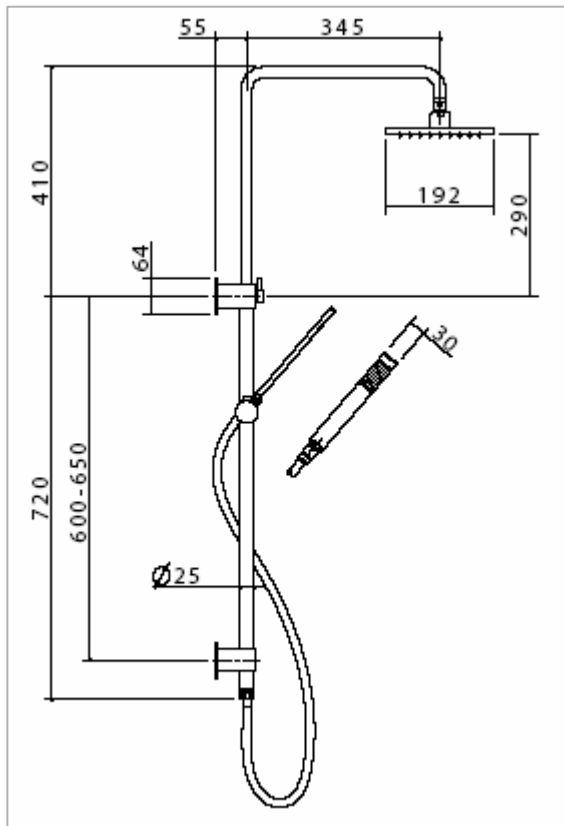


Minko Shower on Rail



Dorf **Minko** Shower on Rail with overhead outlet

- 3 Star WELS rated
- European quality and finish with Oriental influenced design. Its sleek lines will transform the feel of any bathroom.
- Outstanding water-saving performer
- www.dorf.com.au
- **Code# 3362.043A**

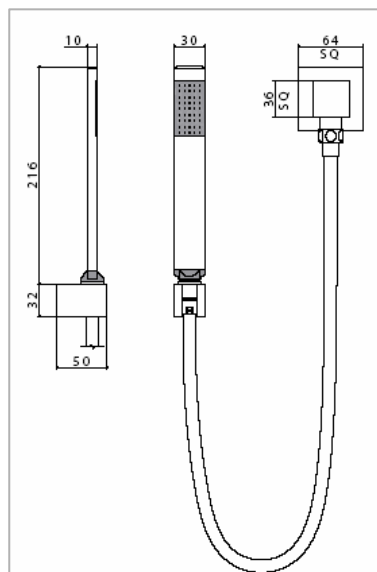
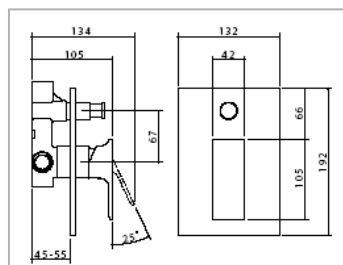
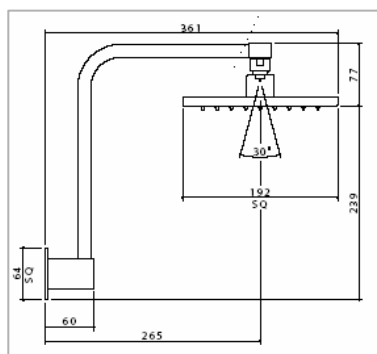


Jovian Shower System



Dorf Jovian Shower System

- 3 Star WELS rated
- Sharp, intense lines, Smooth edges
- Distinctively European looking range to complement any modern bathroom.
- Reduces water use without compromising performance
- www.dorf.com.au
- **Code# 2128.043A**
Consists of shower outlet, hand shower and bath/shower mixer with diverter.



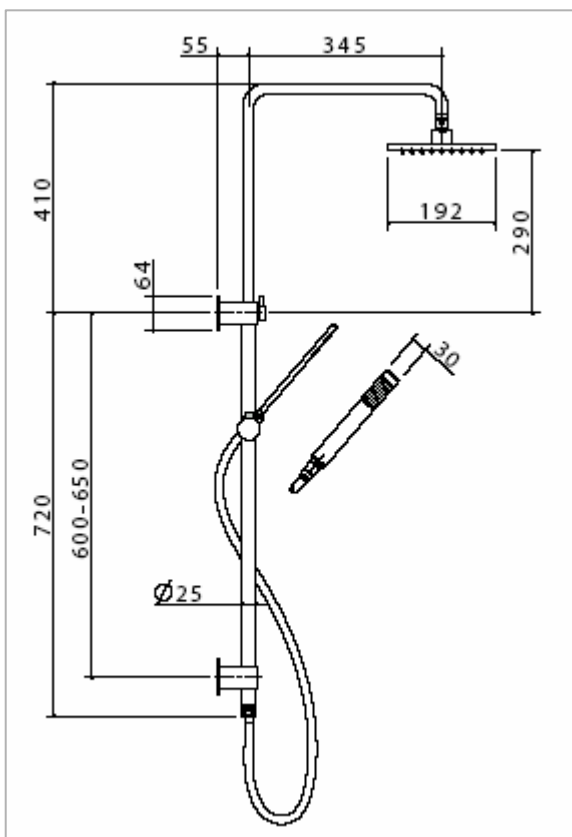
Jovian Shower on Rail



Dorf **Jovian** Shower on Rail with overhead outlet

3 Star WELS rated

- Sharp, intense lines, Smooth edges
- Distinctively European looking range to complement any modern bathroom.
- Reduces water use without compromising performance
- www.dorf.com.au
- **Code# 2126.043A**

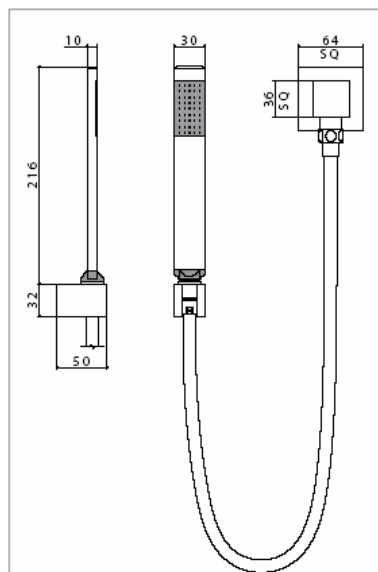
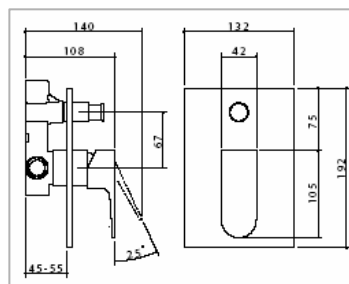
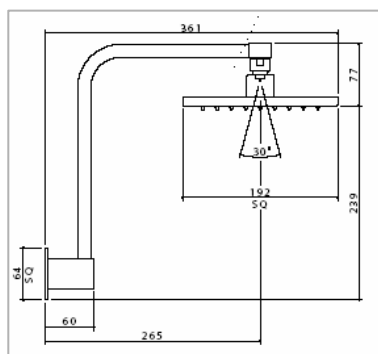


Arc Shower System



Dorf Arc Shower System

- 3 Star WELS rated
- Simple, minimalist design.
- The straight lines and curved edges are perfectly suited to many contemporary styles of bathrooms
- www.dorf.com.au
- **Code# 3256.043A**
Consists of shower outlet, hand shower and bath/shower mixer with diverter.

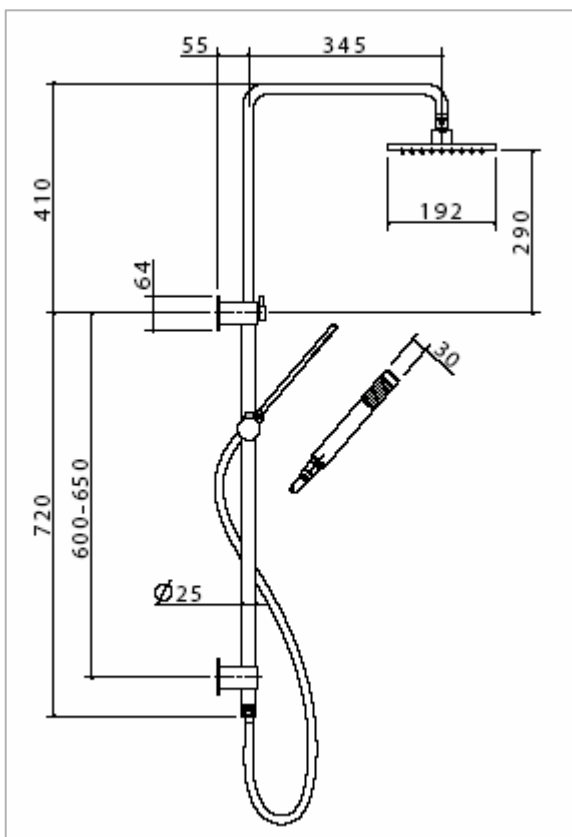


Arc Shower on Rail

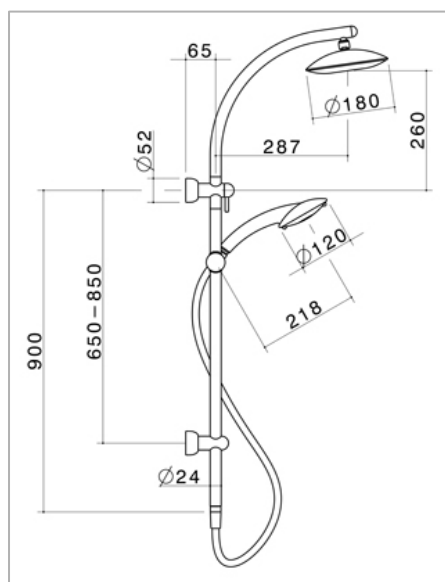


Dorf **Arc** Shower on Rail with overhead outlet

- 3 Star WELS rated
- Simple, minimalist design.
- The straight lines and curved edges are perfectly suited to many contemporary styles of bathrooms
- www.dorf.com.au
- **Code# 3263.043A**



Orbit Shower System 5



Dorf Orbit Shower System 5

- 3 Star WELS rated
- All-in-one multi-function shower system with overhead shower and hand shower on rail
- Retro-fit design allows for easy installation in most existing applications
- Overhead shower delivers comfortable rain spray with wide coverage
- Easy lever adjustment activates two way diverter to isolate overhead shower or hand shower
- www.dorf.com.au
- **Code# 1881.043A**



1884.04	ORBIT SHOWER HANDPIECE CP
1882.04	ORBIT SHOWER HOSE CP

Orbit Shower System 5 - Install

SYSTEM 5 – OVERHEAD & HAND SHOWER ON RAIL WATER EFFICIENT TAPWARE (NOMINAL FLOW RATE = 9 L/min)



PLUMBERS INSTALLATION INSTRUCTIONS

Important

- * Shower rail adaptor (20) is fitted with a 10 L/min flow regulated check valve (21). Shower head (10) is fitted with a 9.0 L/min flow regulator (9). Hand shower (12) is fitted with a check valve (13). Note: Warranty is void if check valve (13), flow regulator (9) and flow regulated check valve (21) are not installed as shown.
- * Not suitable for gravity feed systems.
- * All pipework must be thoroughly flushed prior to installation, as foreign materials may block the flow regulating device and reduce the flow of water.

- * **SHOWER RAIL (16) MUST NOT BE USED AS A GRAB RAIL.**
- * Centre of drilled hole for attachment of shower rail bracket (19) must be vertically in alignment with the centre of the threaded nipple (2).

Installation

- 1) Check that threaded nipple (2) is the correct length as shown. Accurately cut to length if required ensuring end face is square. Apply thread tape to the thread.
Important : Care must be taken that thread tape cannot become dislodged and block the flow regulating device, causing a reduction in water flow.
2) Place retaining ring (1) over threaded nipple (2) ensuring larger flat face is against the wall surface. Screw adaptor (3) onto threaded nipple (2) with 'O'ring facing you & tighten firmly against the retaining ring (1). **DO NOT OVERTIGHTEN.**
Note: Threaded nipple (2) must not protrude from adaptor (3) after it is tightened.
3) Mark the position for the shower rail mounting base (25) at a suitable distance from the threaded nipple (2). (Fig 1.)
4) **SOLID WALLS:** –(Brick, masonry blocks, concrete etc)
i) Drill hole 8.00mm diameter, 60mm deep.
ii) Insert small end of wall plug (26) into drilled hole and tap until flush with surface.
CAVITY WALLS: –(Villaboard/tile etc)
i) Drill hole 8.00mm diameter.
ii) Insert small end of wall plug (26) into drilled hole and tap until flush with surface.
5) Fit screw (24) through the hole in mounting base (25) then assemble into wall plug (26) and tighten.

IMPORTANT
Pressure & Temperature Requirements.

- Hot and cold water inlet pressures should be equal.
- Inlet pressure range : 150 – 1000 kPa
- New Regulation : – 500 kPa maximum operating pressure at any outlet within a building. (Ref. AS/NZS 3500.1 – 2003, Clause 3.3.4)
- Maximum hot water temperature : 80°C.

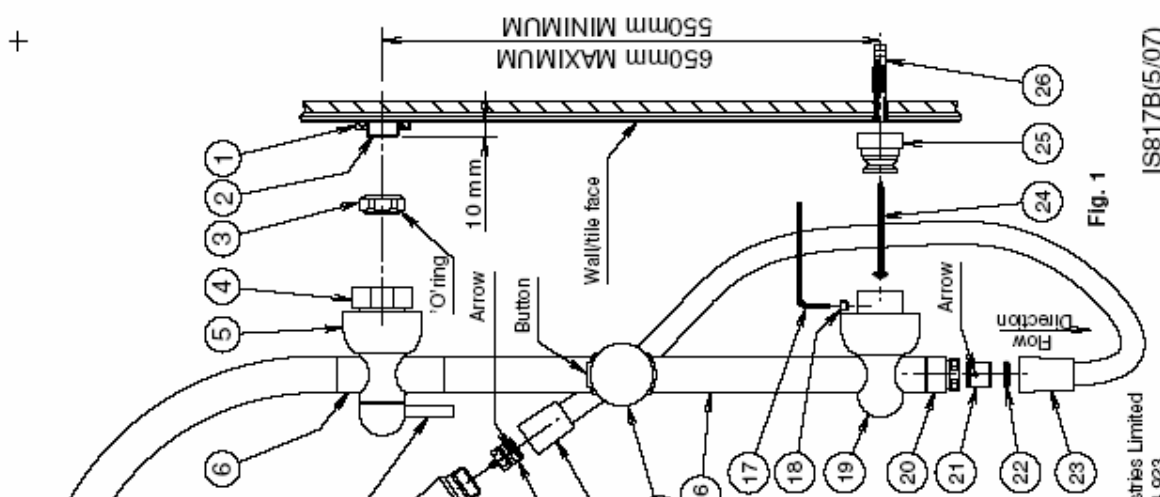


Fig. 1
IS817B(5/07)
Distributed by:
Dorf Clark Industries Limited
ABN 23 004 394 923

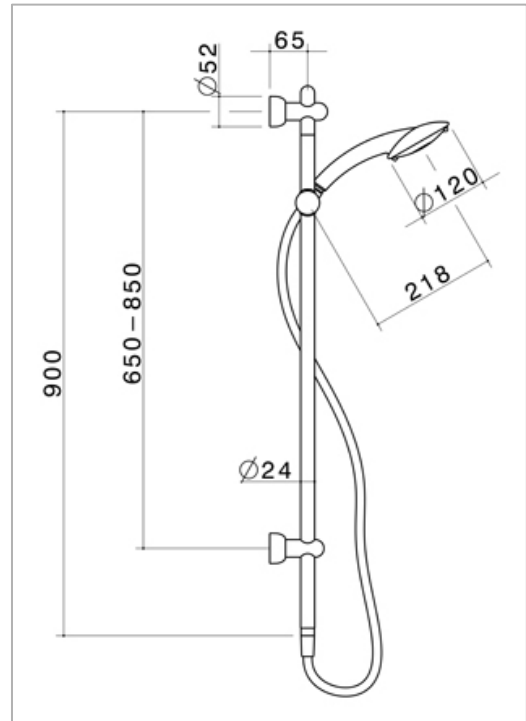
- 6) Ensure that flow regulated check valve (21) & 'O'ring (22) are installed into adaptor (20) of shower rail (16). Carefully slide bracket (19) onto rail (16) then fit rail assembly onto wall as follows: –
i) Locate bracket (19) on mounting base (25) then position inlet fitting (6) onto sealing face of adaptor (3).
ii) Screw coupling nut (4) onto retaining ring (1) and tighten using a 38mm A/F (1/2) spanner.
iii) Push bracket (19) against mounting base (25) and tighten screw (18) using a 3mm allen key (17).
iv) Push each cover (5) against wall/tile face.
7) Connect the long nut (23) of the shower hose to the adaptor (20) of the rail (16) and tighten. Connect the remaining end of shower hose (with short nut (14)) to the hand shower (12) & tighten. Fit hand shower (12) into shower bracket (15).
Important: If water does not flow from handshower (12) make sure that check valves (13 & 21) are installed with the arrows pointing in the direction of flow.
Note : Height of hand shower can be adjusted by pressing button and sliding shower bracket (15) up or down on rail (16).
8) Ensure flow regulator (9) and seal (8) are in position in shower head (10). Carefully screw shower head (10) onto thread of shower arm (7) using a 20mm A/F spanner & tighten.
Note: To deliver water to shower head (10), diverter lever (11) must be in the vertically down position (as shown). To deliver water to the hand shower (12), the diverter lever (11) must be in the vertically up position.

Orbit Shower System 4



Dorf **Orbit** Shower System 4

- 3 Star WELS rated
- All-in-one multi-function shower system with overhead shower and hand shower on rail
- Retro-fit design allows for easy installation in most existing applications
- Overhead shower delivers comfortable rain spray with wide coverage
- Easy lever adjustment activates two way diverter to isolate overhead shower or hand shower
- www.dorf.com.au
- **Code# 1880.043A**



Orbit Shower System 4 - Install

SYSTEM 4 - HAND SHOWER ON RAIL WATER EFFICIENT TAPWARE (NOMINAL FLOW RATE = 9 L/min)



PLUMBERS INSTALLATION INSTRUCTIONS

- Important**
- Shower rail adaptor (15) is fitted with a 9 L/min flow regulated check valve (16). Hand shower (7) is fitted with a check valve (8).
 - Note: Warranty is void if check valve (8) & flow regulated check valve (16) are not installed as shown.
 - Not suitable for gravity feed systems.
 - All pipework must be thoroughly flushed prior to installation, as foreign materials may block the flow regulating device and reduce the flow of water.
 - SHOWER RAIL (11) MUST NOT BE USED AS A GRAB RAIL.**
 - Centre of drilled hole for attachment of shower rail bracket (14) must be vertically in alignment with the centre of the threaded nipple (2).

Installation

- Check that threaded nipple (2) is the correct length as shown. Accurately cut to length if required ensuring end face is square. Apply thread tape to the thread. Important: Care must be taken that thread tape cannot become dislodged and block the flow regulating device, causing a reduction in water flow.
- Place retaining ring (1) over threaded nipple (2) ensuring larger flat face is against the wall surface. Screw adaptor (3) onto threaded nipple (2) with 'O'ring facing you & tighten firmly against the retaining ring (1). **DO NOT OVERTIGHTEN.** Note: Threaded nipple (2) must not protrude from adaptor (3) after it is tightened.
- Mark the position for the shower rail mounting base (20) at a suitable distance from the threaded nipple (2). (Fig 1.)
- SOLID WALLS:-** (Brick, masonry blocks, concrete etc)
 - Drill hole 8.00mm diameter, 60mm deep.
 - Insert small end of wall plug (21) into drilled hole and tap until flush with surface.
- CAVITY WALLS:-** (Wallboard/tile etc)
 - Drill hole 8.00mm diameter.
 - Insert small end of wall plug (21) into drilled hole and tap until flush with surface.
- Fit screw (19) through the hole in mounting base (20) then assemble into wall plug (21) and tighten.

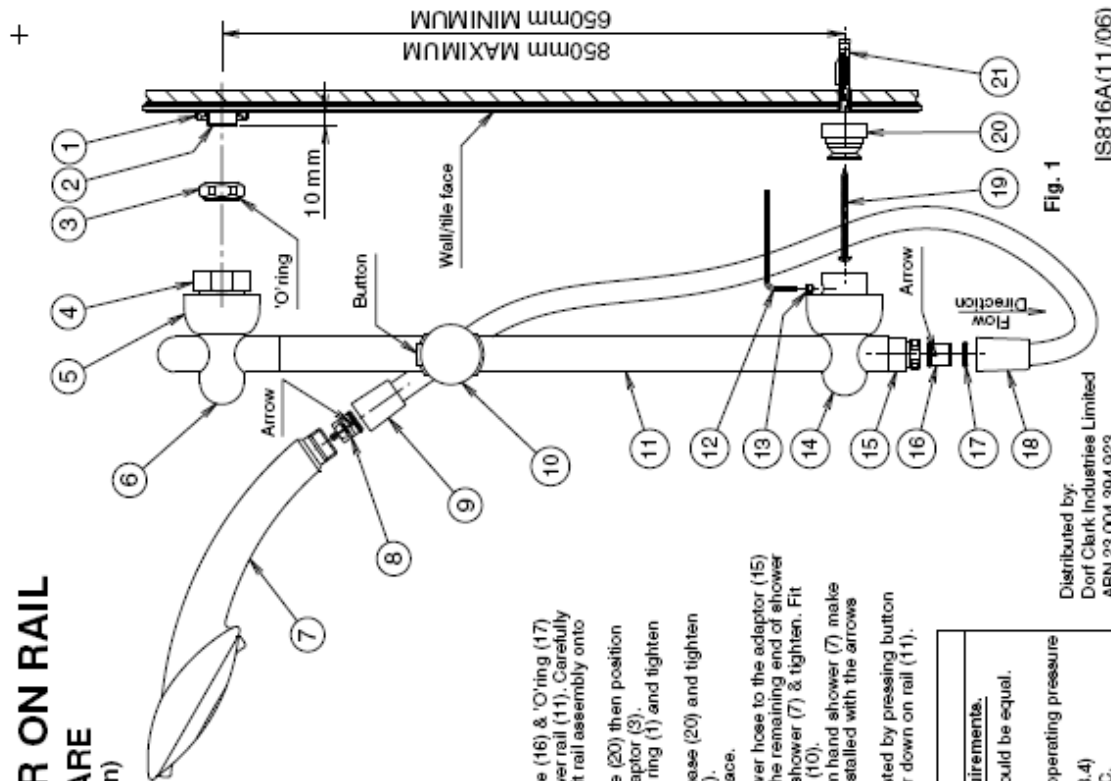
- Ensure that flow regulated check valve (16) & 'O'ring (17) are installed into adaptor (15) of shower rail (11). Carefully slide bracket (14) onto rail (11) then fit rail assembly onto wall as follows:-
 - Locate bracket (14) on mounting bases (20) then position inlet fitting (6) onto sealing face of adaptor (3).
 - Screw coupling nut (4) onto retaining ring (1) and tighten using a 38mm AF (1/12) spanner.
 - Push bracket (14) against mounting base (20) and tighten screw (13) using a 3mm allen key (12).
 - Push each cover (5) against wall/tile face.
- Connect the long nut (18) of the shower hose to the adaptor (15) of the rail (11) and tighten. Connect the remaining end of shower hose (with short nut (9)) to the hand shower (7) & tighten. Fit hand shower (7) into shower bracket (10).

Important: If water does not flow from hand shower (7) make sure that check valves (8 & 16) are installed with the arrows pointing in the direction of flow.

Note: Height of shower can be adjusted by pressing button and sliding shower bracket (10) up or down on rail (11).

IMPORTANT

Pressure & Temperature Requirements.
• Hot and cold water inlet pressures should be equal.
• Inlet pressure range : 150 -1000 kPa
• New Regulation :500 kPa maximum operating pressure at any outlet within a building. (Ref. AS/NZS 3500.1-2003, Clause 3.3.4)
• Maximum hot water temperature : 80°C.



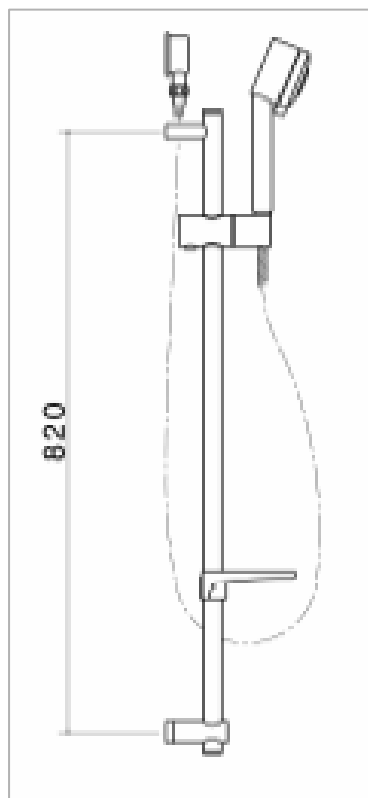
Distributed by:
Dorf Clark Industries Limited
ABN 23 004 394 923

Conceda Shower on Rail



Dorf **Conceda** Shower on Rail

- 3 Star WELS rated
- Minimalist geometric design with a quality chrome finish
- Four spray patterns to choose from, all engineered to deliver a very comfortable showering experience
- Dorf Water Efficient Tapware (W.E.T.®) technology ensures minimal water use without compromising performance
- www.dorf.com.au
- **Code# 1850.043A**

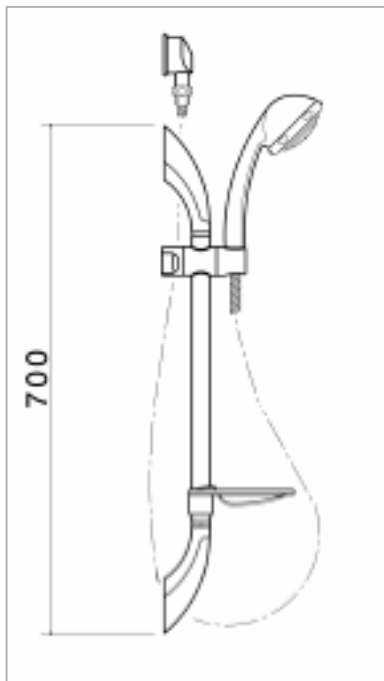


Nutra Shower on Rail



Dorf **Nutra** Shower on Rail

- 3 Star WELS rated
- Clean, simple contemporary design
- Choose from five different spray patterns - from a firm pulsating spray to bubbling aerated streams of water
- Dorf Water Efficient Tapware (W.E.T.™) technology ensures minimal water use without compromising performance
- www.dorf.com.au
- **Code# 1849.043A**

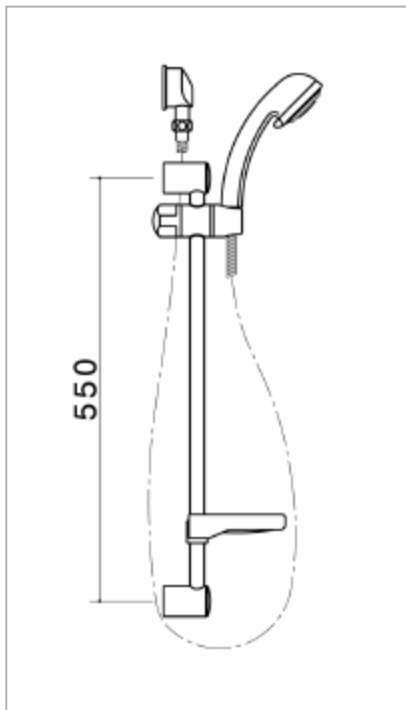


Invigra Shower on Rail



Irwell **Invigra** Shower on Rail

- 3 star WELS rated
- Styling flexibility with three distinct shower options
- Designed to save water without compromising shower quality
- Contemporary chrome finish
- Three spray patterns for showering comfort
- Smooth face for easy clean and care
- Durable swivel hose is leak and kink resistant
- Integrated soap dish with shower on rail
- WaterMark approved to Australian Standards
- www.irwell.com.au
- **Code# 872713C3A**



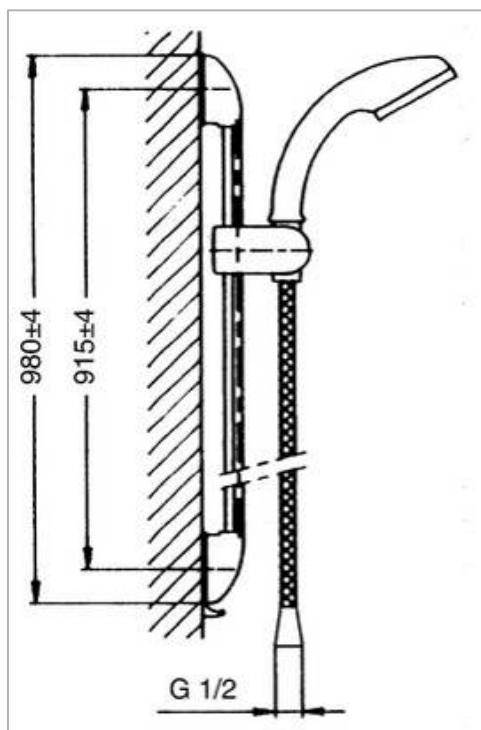
Trijet Premio Shower Set



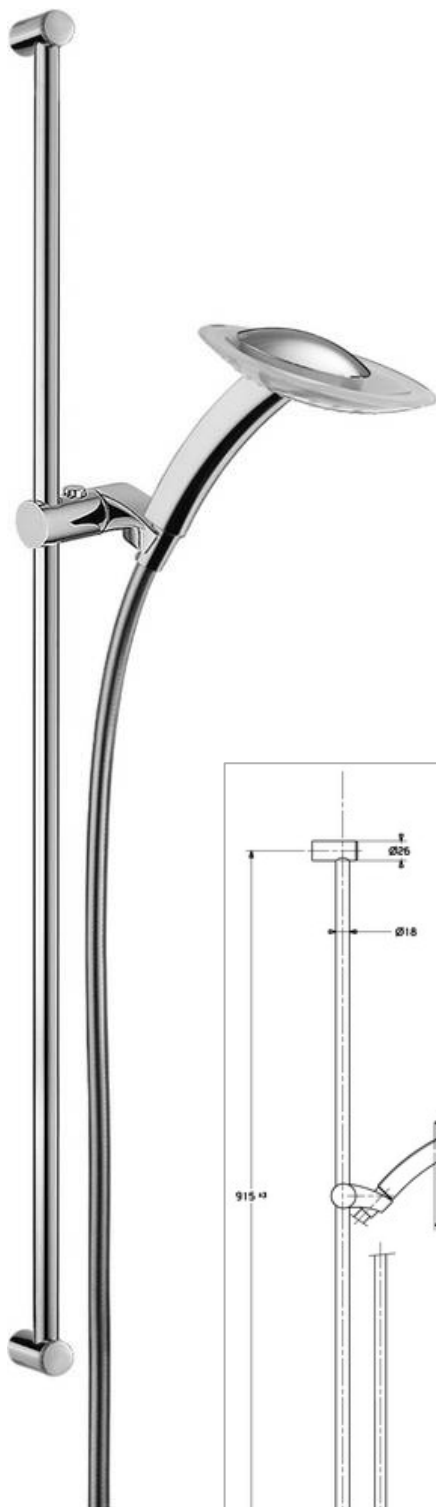
Hansa Trijet Premio

Shower Set

- 2 star WELS rated
- 5 Year Product Warranty
- Trijet 3 Spray Function Handshower
- Automatic reset to soft spray
- 1600mm Hansa Jet Shower Hose
- Revolving shower hose connection
- 900mm Premio sliding wall bar
- Height adjustable & lockable slide mechanism
- Includes Hansa JETCLEAN Technology
- Fastening set included
- Dirt collecting filter included
- Wall elbow supplied separately
- www.hansataps.com
- **Code# 045801400037**



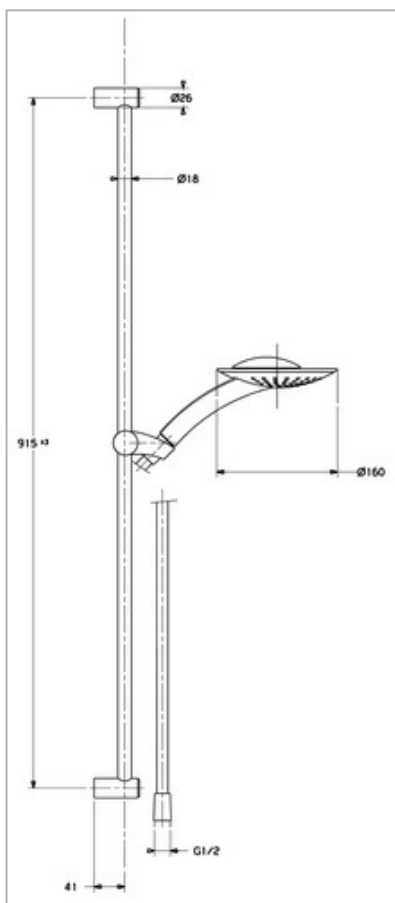
2Day Shower Set on Rail



Hansa 2Day

Shower Set on Rail

- WELS Water Efficiency Rating 3-Star (9 l/min)
- 5 Year Product Warranty
- 2Day Handshower (needle spray)
- Body Shower (needle spray)
- 1750mm shower hose
- 900mm 2Day sliding wall bar
- Includes Hansa JETCLEAN Technology
- Complete:
 - Handshower
 - 1750mm Hose
 - 900mm Rail
 - Wall elbow
- www.hansataps.com
- **Code# 540203000037**



HAND SHOWERS / SHOWER OUTLETS

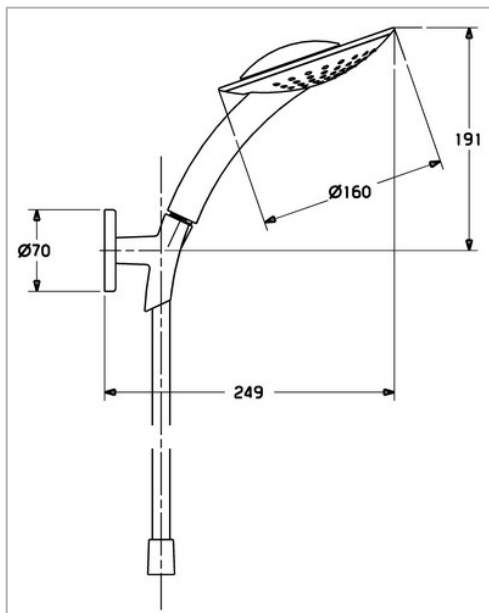
2Day Bath Set



Hansa 2Day

Bath Set

- WELS Water Efficiency Rating 3-Star (9 l/min)
- Includes Shower Bracket
- 5 Year Product Warranty
- 2Day Handshower (needle spray)
- Body Shower (needle spray)
- 1250mm shower hose
- Includes Hansa JETCLEAN Technology
- www.hansataps.com
- **Code# 540104000037**

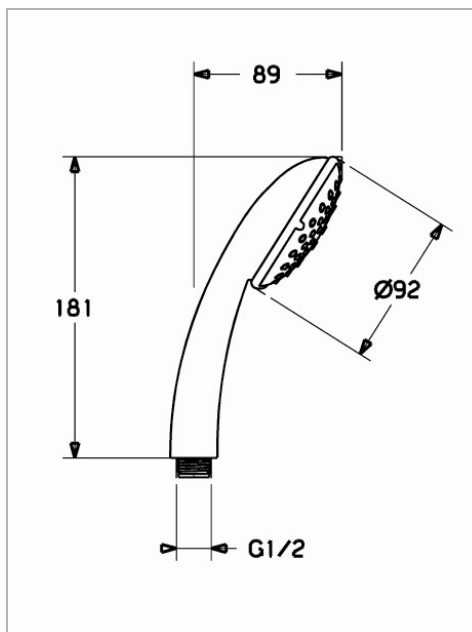


Ecojet Neu Handshower



Hansa Ecojet Neu 1, 2 or 3 Handshower

- 3 star WELS rated
- Turn dial adjustment 2 settings
- 5 Year Product Warranty
- Protection against limescale
- Dirt collecting filter included
- www.hansataps.com
- **Code# various**



Spray Patterns:

Code# 4461 0100 0037- Ecojet 1 – needle

Code# 4462 0100 0037- Ecojet 2 – needle, massage

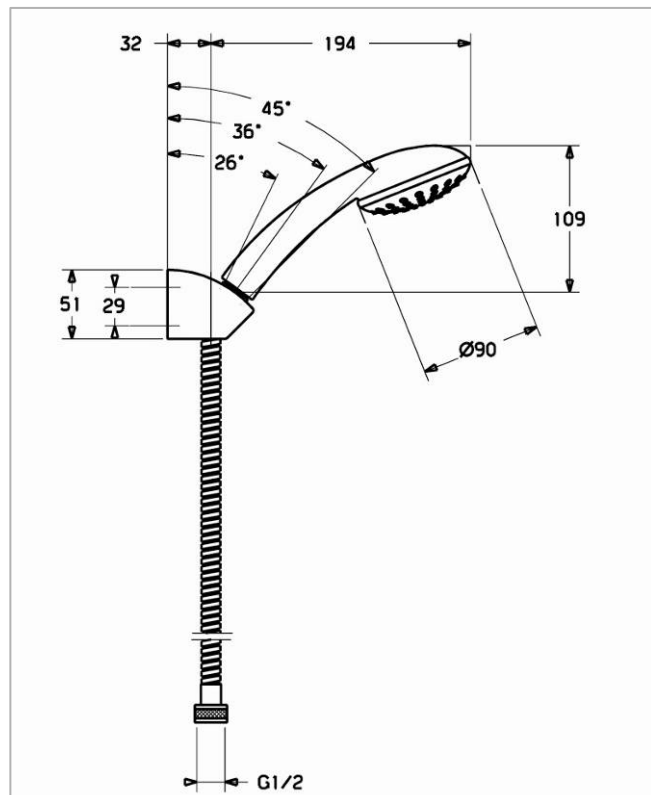
Code# 4463 0100 0037- Ecojet 3 – needle, massage, soft

Ecojet Neu 2 Handshower Set

Hansa **Ecojet Neu 2**

Handshower Set

- 3 star WELS rated
- Turn dial adjustment 2 settings
- Wall mounted Shower bracket included
- 5 Year Product Warranty
- Ecojet Neu 2 Handshower
- 1250mm shower hose
- Protection against limescale
- Dirt collecting filter included
- www.hansataps.com
- **Code# 4468 0120 0037**



XL Handshower



Hansa **XL**

Handshower

- WELS Water Efficiency Rating 3-Star (9 l/min)
- Wide faced handshower
- 15mm connection
- 5 Year Product Warranty
- XL Jet Handshower
- Water saving set @ 12 litres/minute
- Includes Hansa JETCLEAN Technology
- Dirt collecting filter included
- www.hansataps.com
- **Code# 54010400037**



New product
Tech dwg not yet available

Duojet



Hansa Duojet

Body Shower

- Dual spray function body shower
- 15mm BSP female connection
- 5 Year Product Warranty
- Automatic reset to needle spray
- Includes Hansa JETCLEAN Technology
- Degree of Swivel = 15 degrees (ball joint)
- WELS Water Efficiency Rating 0-Star
- Nominal Flow Rate = 4.0
- www.hansataps.com
- **Code# 043601000037**



Tech dwg not available

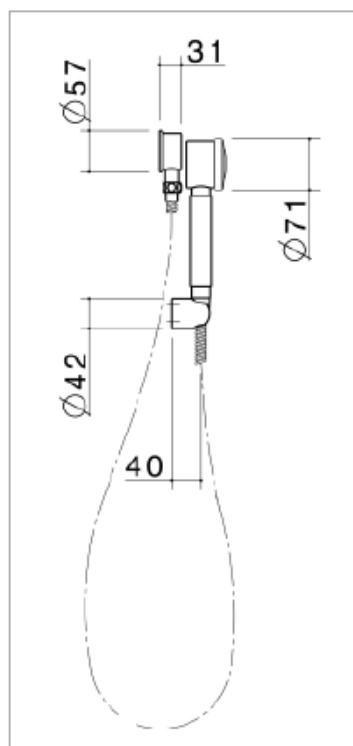
Liano Hand Shower



Caroma Liano

Hand Shower

- 3 star WELS rated
- Sleek, minimalist styling and striking chrome finish
- Four spray patterns to customise your showering experience
- Built in 'easy clean' technology prevents internal residue build up while 'smooth face' makes for trouble free external head cleaning
- High quality metal swivel hose eliminates coiling
- Watermark approved to Australian Standards
- www.caroma.com.au
- **Code# 91012C3A**

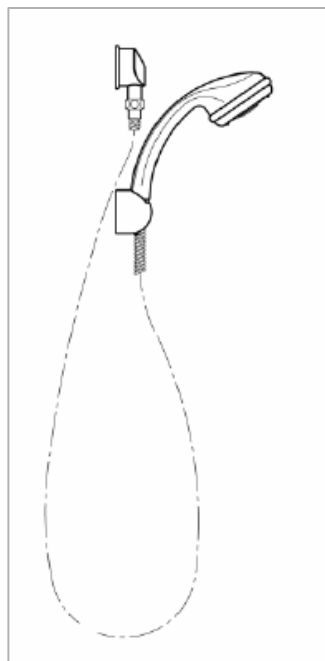


Mystic Hand Shower



Caroma **Mystic** Hand Shower

- 3 star WELS rated
- Five spray patterns for complete water control
- Swivel hose prevents kinking and coiling
- Solid brass shower rail for durability
- Watermark approved to Australian standards
- www.caroma.com.au
- **Code# 91011C3A**

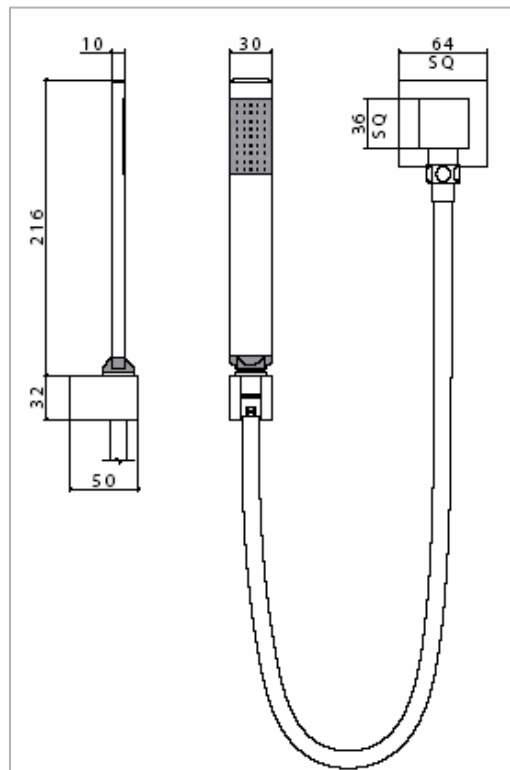


Minko Hand Shower



Dorf **Minko** Hand Shower

- 3 Star WELS rated
- European quality and finish with Oriental influenced design. Its sleek lines will transform the feel of any bathroom.
- Outstanding water-saving performer
- www.dorf.com.au
- **Code# 3268.043A**

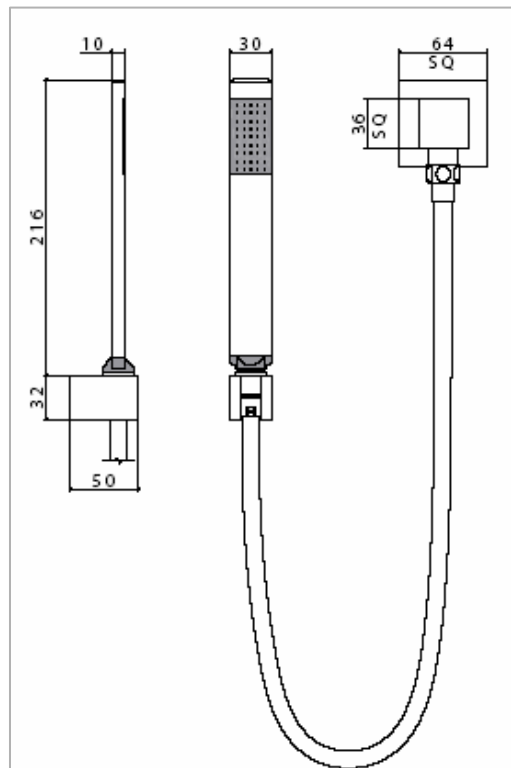


Jovian Hand Shower



Dorf **Jovian** Hand Shower

- 3 Star WELS rated
- Sharp, intense lines, Smooth edges
- Distinctively European looking range to complement any modern bathroom.
- Reduces water use without compromising performance
- www.dorf.com.au
- **Code# 2129.043A**

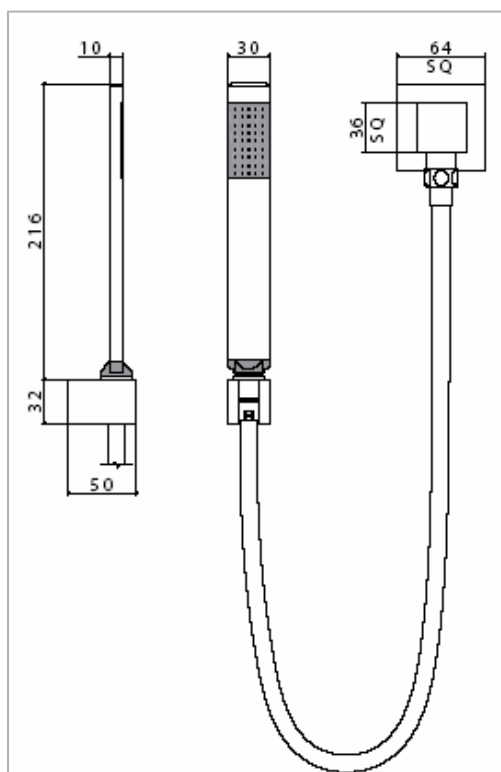


Arc Hand Shower



Dorf **Arc** Hand Shower

- 3 Star WELS rated
- Simple, minimalist design.
- The straight lines and curved edges are perfectly suited to many contemporary styles of bathrooms.
- www.dorf.com.au
- **Code# 3265.043A**

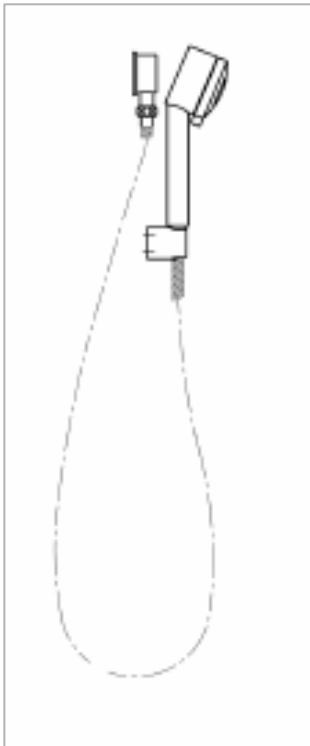


Conceda Hand Shower



Dorf **Conceda** Hand Shower

- 3 Star WELS rated
- Minimalist geometric design with a quality chrome finish
- Four spray patterns to choose from, all engineered to deliver a very comfortable showering experience
- Dorf Water Efficient Tapware (W.E.T.®) technology ensures minimal water use without compromising performance
- www.dorf.com.au
- **Code# 1848.043A**

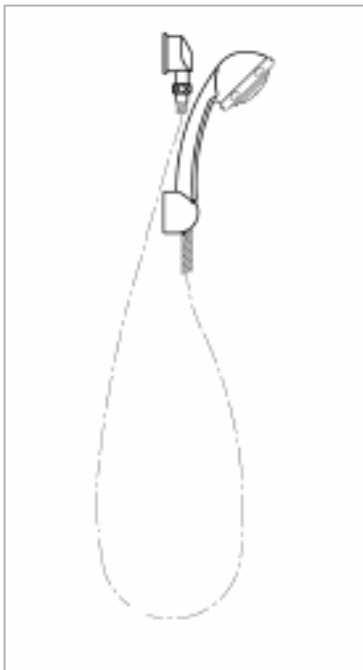


Nutra Hand Shower



Dorf **Nutra** Hand Shower

- 3 Star WELS rated
- Clean, simple contemporary design
- Choose from five different spray patterns - from a firm pulsating spray to bubbling aerated streams of water
- Dorf Water Efficient Tapware (W.E.T.™) technology ensures minimal water use without compromising performance
- www.dorf.com.au
- **Code# 1847.043A**

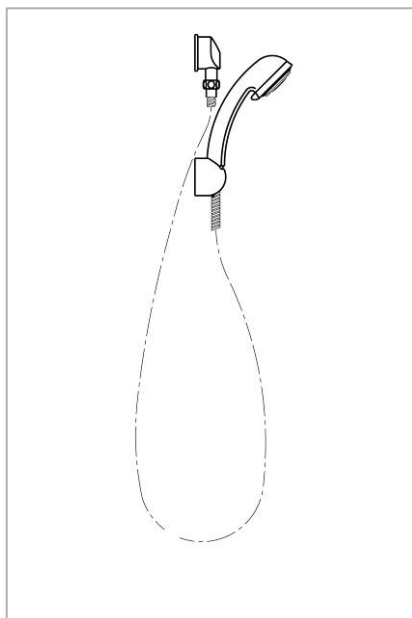


Invigra Hand Shower

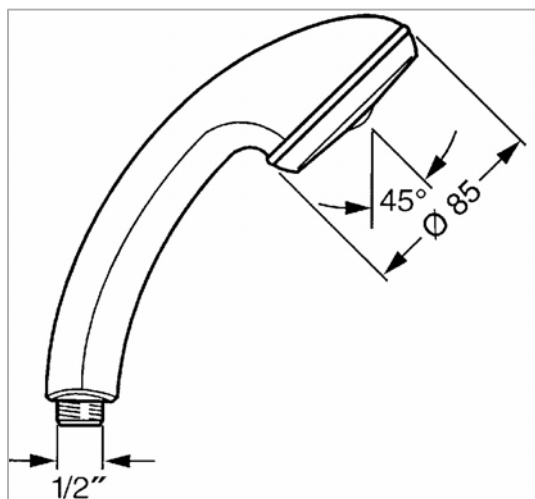


Irwell **Invigra** Hand Shower

- 3 star WELS rated
- Styling flexibility with three distinct shower options
- Designed to save water without compromising shower quality
- Contemporary chrome finish
- Three spray patterns for showering comfort
- Smooth face for easy clean and care
- Durable swivel hose is leak and kink resistant
- WaterMark approved to Australian Standards
- www.irwell.com.au
- **Code# 872712C3A**



Monojet Hand Shower



Hansa Monojet

Overhead Shower Outlet

- 3 Star WELS rated
- Single spray function Handshower
- 5 year product warranty (12 month warranty on JETCLEAN)
- Revolving shower hose connection
- Water saving set @ 9 or 12 litres/minute
- Includes Hansa JETCLEAN Technology
- Dirt collecting filter included
- www.hansataps.com
- **Code#**
043101000037 Chrome
04310100 8237 White



Trijet Handshower



Hansa Trijet

Handshower

- 2 star WELS rated
- Three spray function hand shower
- Touch button spray selection
- 5 year product warranty (12 month warranty on JETCLEAN)
- Automatic reset to soft spray
- Revolving shower hose connection
- Includes Hansa JETCLEAN Technology
- Dirt collecting filter included
- www.hansataps.com
- **Code# 043301000037**

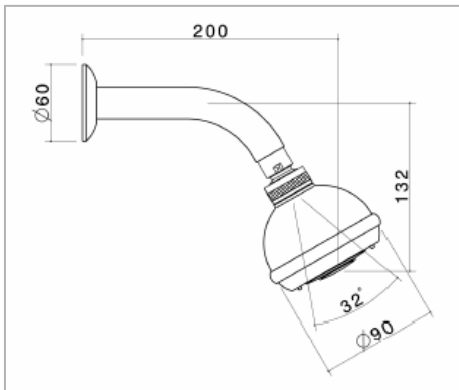


Mystic Shower Outlet



Caroma **Mystic** Fixed Shower Outlet

- 3 star WELS rated
- Five spray patterns for complete water control
- Solid brass shower rail for durability
- Watermark approved to Australian standards
- www.caroma.com.au
- **Code# 91010C3A**

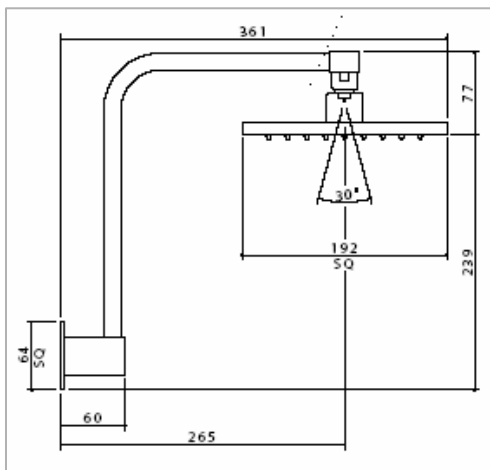


Minko Shower Outlet



Dorf **Minko** Shower Outlet

- 3 Star WELS rated
- European quality and finish with Oriental influenced design. Its sleek lines will transform the feel of any bathroom.
- Outstanding water-saving performer
- www.dorf.com.au
- **Code# 3366.043A**

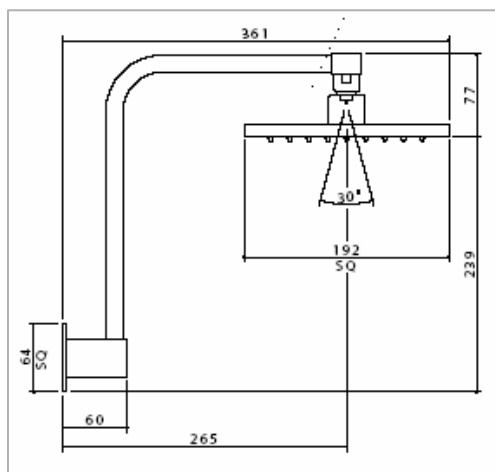


Jovian Shower Outlet



Dorf **Jovian** Shower Outlet

- 3 Star WELS rated
- Sharp, intense lines, Smooth edges
- Distinctively European looking range to complement any modern bathroom.
- Reduces water use without compromising performance
- www.dorf.com.au
- **Code# 2125.043A**

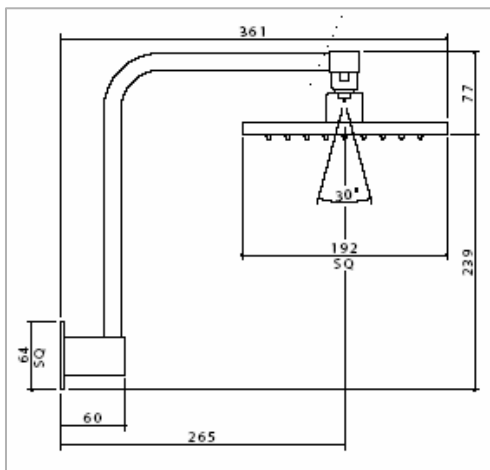


Arc Shower Outlet



Dorf **Arc** Shower outlet

- 3 Star WELS rated
- Simple, minimalist design.
- The straight lines and curved edges are perfectly suited to many contemporary styles of bathrooms.
- www.dorf.com.au
- **Code# 3264.043A**

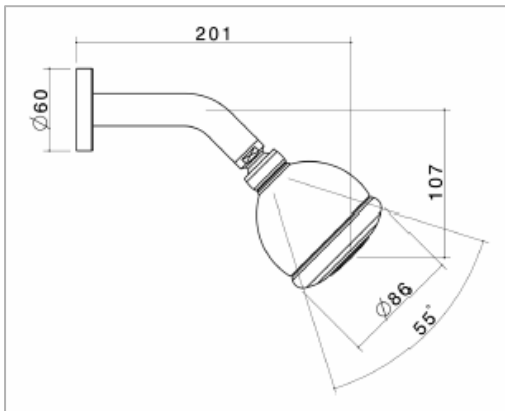


Conceda Shower Outlet



Dorf **Conceda** Shower Outlet

- 3 Star WELS rated
- Minimalist geometric design with a quality chrome finish
- Four spray patterns to choose from, all engineered to deliver a very comfortable showering experience
- Dorf Water Efficient Tapware (W.E.T.®) technology ensures minimal water use without compromising performance
- www.dorf.com.au
- **Code# 1846.043A**

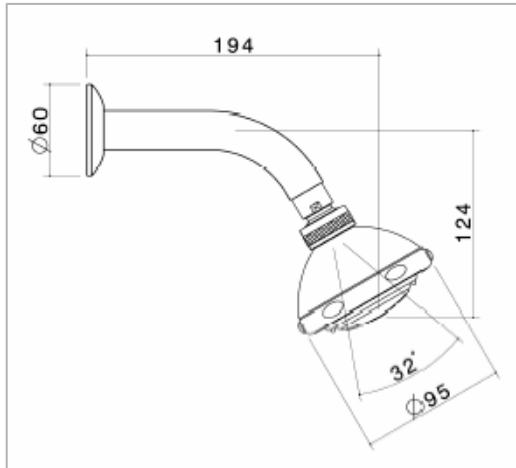


Nutra Shower Outlet

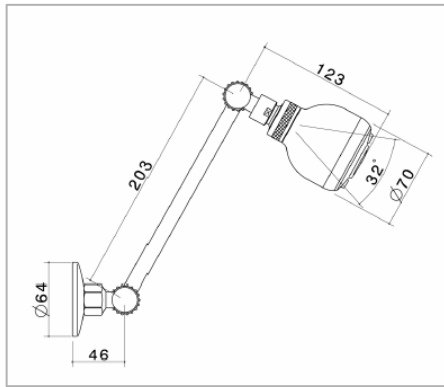


Dorf **Nutra** Shower Outlet

- 3 Star WELS rated
- Clean, simple contemporary design
- Choose from five different spray patterns - from a firm pulsating spray to bubbling aerated streams of water
- Dorf Water Efficient Tapware (W.E.T.™) technology ensures minimal water use without compromising performance
- www.dorf.com.au
- **Code# 1845.043A**



Invigra Shower Outlet



Irwell **Invigra** Shower Outlet

- 3 star WELS rated
- Styling flexibility with three distinct shower options
- Designed to save water without compromising shower quality
- Contemporary chrome finish
- Three spray patterns for showering comfort
- Smooth face for easy clean and care
- Fixed shower has adjustable arm and head for easy directional control
- WaterMark approved to Australian Standards
- www.irwell.com.au
- **Code# 872711C3A**



Novajet 1,2,3 Shower Outlet



Hansa Novajet 1,2 or 3

Shower Set

- 3 star WELS rated
- 5 year warranty
- www.hansataps.com
- **Novajet 1 Code# 046404000037**
- **Novajet 2 Code# 046504000037**
- **Novajet 3 Code# 046604000037**



Needle



Soft



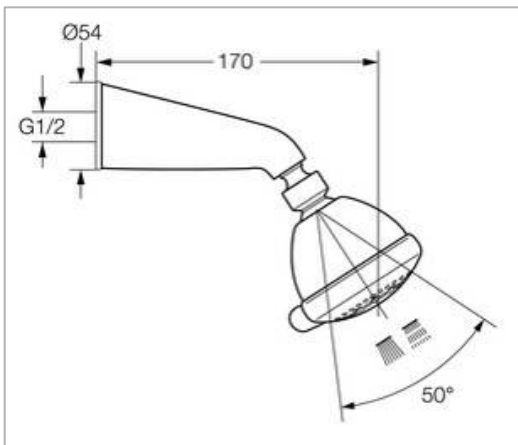
Massage

Spray Patterns:

Novajet 1 – needle

Novajet 2 – needle, soft

Novajet 3 – needle, soft, massage



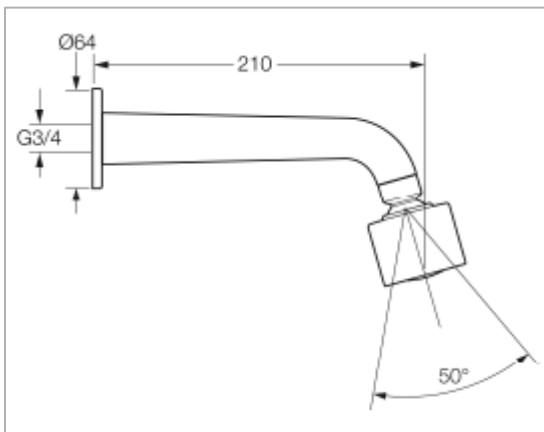
Design Shower Outlet



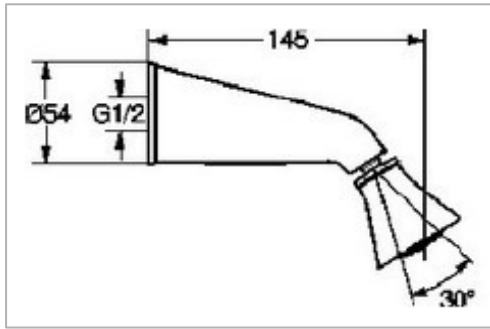
Virtu Design

Overhead Shower

- 3 star WELS rated
- www.starion-industries.com
- Code# **STI/DSOSHC**



Facit Overhead Shower Outlet



Virtu Facit

Overhead Shower

- WELS Water Efficiency Rating 3-Star (9 l/min)
- Solid brass construction
- 12 Month Product Warranty
- Degree of Swivel = 30 (ball joint)
- www.starion-industries.com
- Code# STI/OHSHRC



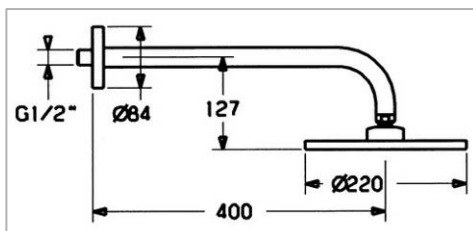
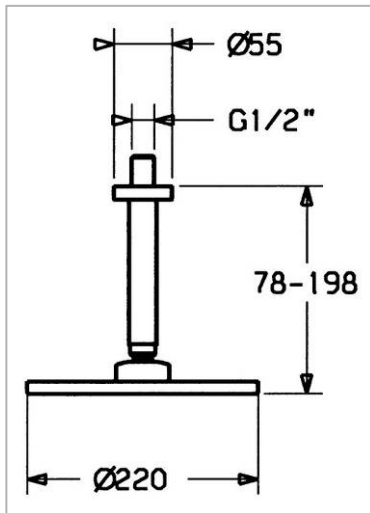
Rain Shower



Hansa Rain

Ceiling or Wall Mounted Shower Outlet

- Includes Hansa Jetclean Technology
- 5 year product warranty (12 month warranty on JETCLEAN)
- Degree of Swivel = 35 (ball joint)
- 180 lime scale resistant holes
- www.hansataps.com
- **Ceiling Mounted Code# 04190100**
- **Wall Mounted Code# 04180100**



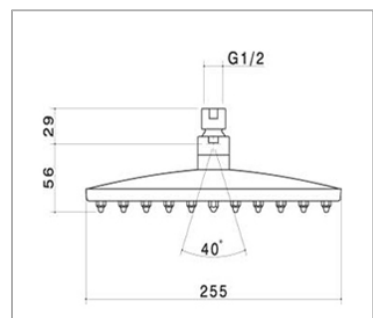
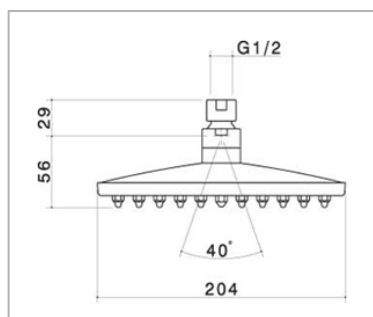
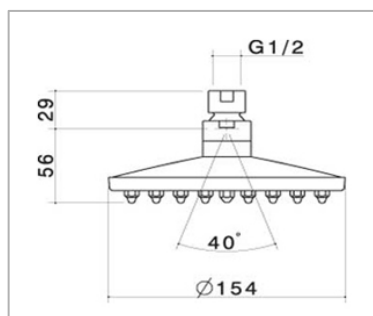
0 WELS rating

Tiber Shower



Dorf Tiber Shower Rose

- Minimalist design
- Self cleaning silicone nipples
- Refreshing rain spray pattern
- Multiple mounting arm options - 200 or 400mm Ceiling Mounted Straight Arm, "S" Style, 305mm Right Angle, Swanneck or Upswept Fixed Arm
- www.dorf.com.au
- **Code# 2455.043A**
150mm – 3 star WELS rated
- **Code# 2456.042A**
200mm – 2 star WELS rated
- **Code# 2457.042A**
250mm – 2 star WELS rated



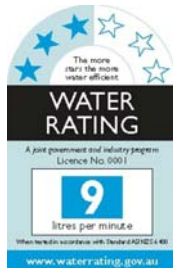
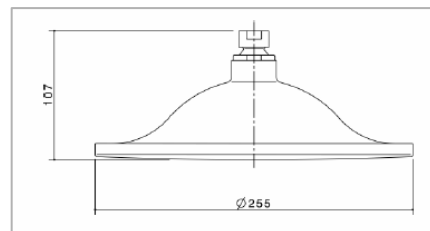
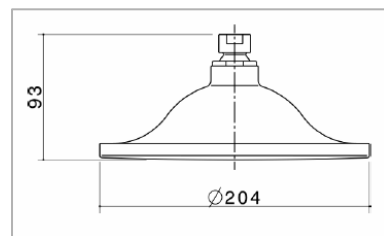
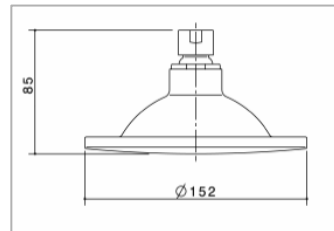
Indus Shower Outlet



Caroma Indus

Shower Outlet

- 3 star WELS rated (150mm)
- 2 star WELS rated (200 & 250 mm)
- Minimalist look
- Sophisticated, modern, utilitarian beauty
- Chrome finish
- www.caroma.com.au
- **Code# 91050C3A**
150mm – 3 star WELS rated
- **Code# 91051C2A**
200mm – 2 star WELS rated
- **Code# 91052C2A**
250mm – 2 star WELS rated



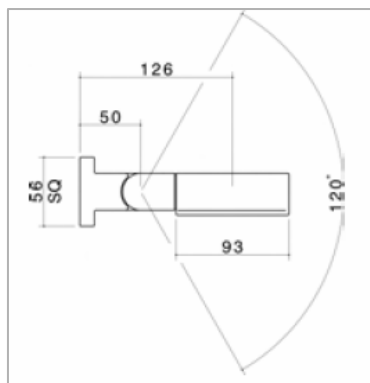
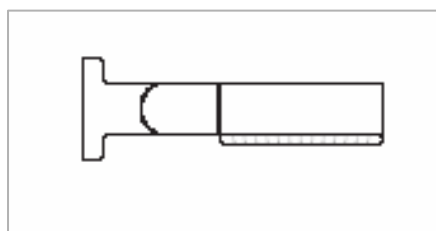
Myriad Shower Outlet



Dorf Myriad

Shower Outlet

- 3 star WELS rated
- Minimalist look
- Sophisticated, modern, utilitarian beauty
- Chrome finish
- www.dorf.com.au
- Code# 9154.043A



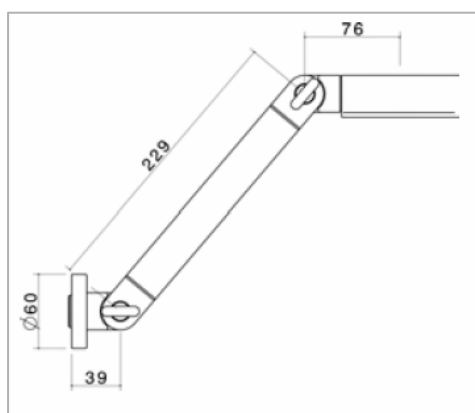
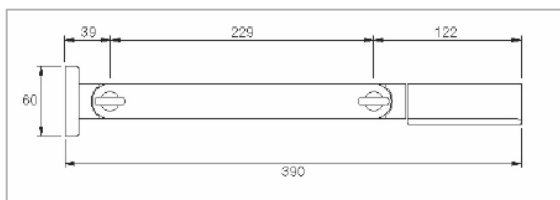
Motif Shower Outlet



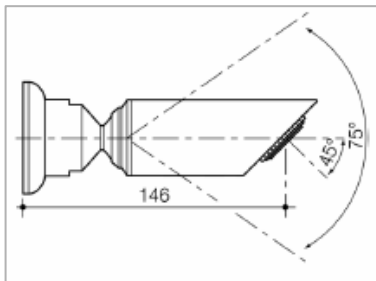
Dorf Motif

Shower Outlet

- 3 star WELS rated
- Minimally styled geometric shapes
- Timeless shapes
- Polished chrome finish
- www.dorf.com.au
- **Code# 3150.04**



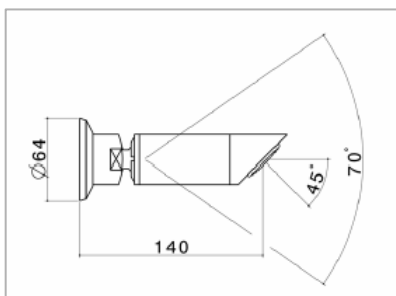
Retro & Metro Shower Outlets



Irwell Retro

Shower Outlet

- 3 star WELS rated
- Timeless, minimalist styling
- classic chrome finish
- Manufactured to Australian WaterMark requirements
- www.irwell.com.au
- **Code# 830733C3A**



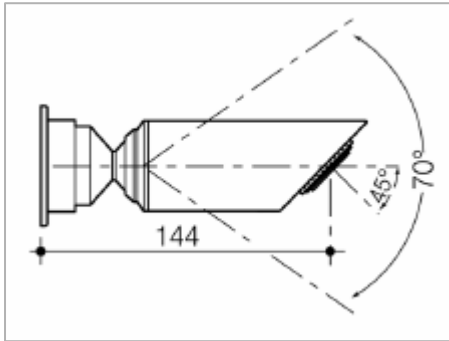
Irwell Metro

Shower Outlet

- 3 star WELS rated
- Timeless, minimalist styling
- classic chrome finish
- Manufactured to Australian WaterMark requirements
- www.irwell.com.au
- **Code# 830802C3A**



Liano Shower Outlet



Caroma **Liano**

Shower Outlet

- 3 Star WELS rated
- Minimalist design and simple lines
- Modern cylindrical shape eliminates dirt traps
- www.caroma.com.au
- **Code# 97017C3A**

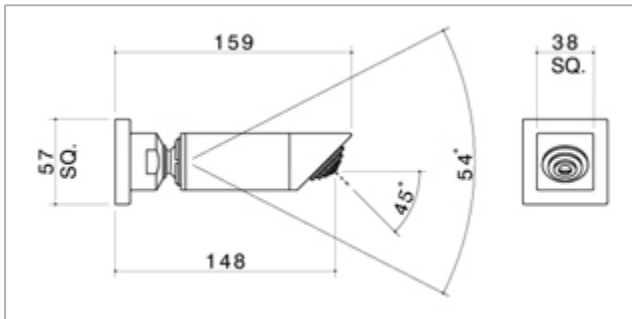


Ingressi Shower

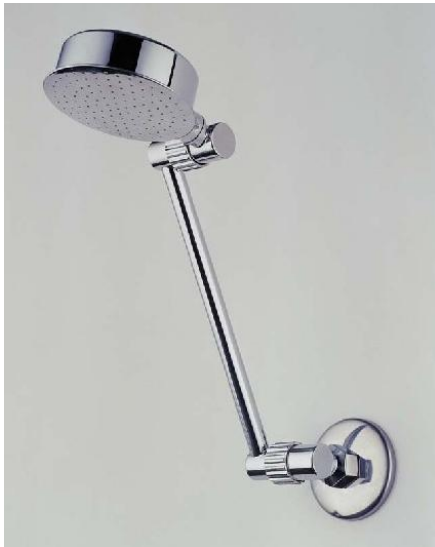


Dorf **Ingressi** Shower

- 3 star WELS rated
- Contemporary design with polished chrome finish
- Durable solid brass construction
- www.dorf.com.au
- **Code# 2724.043A**

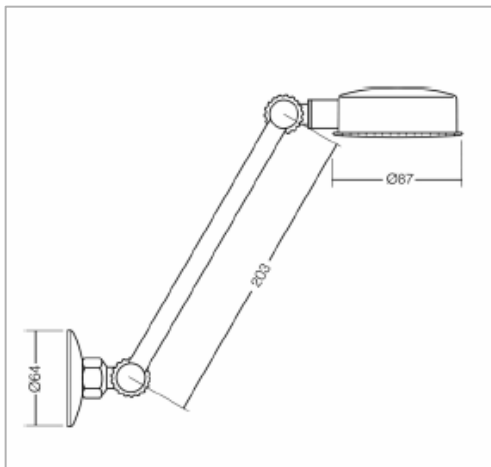


Dorf Stayfast Shower



Dorf **Stayfast** Shower

- 3 star WELS rated
- Solid brass construction and modern clean lines
- Designed with a unique patented 'knuckle' joint, the Stayfast TM shower stays exactly where you position it until you decide to move it
- Designed and manufactured to Australian Standards
- www.dorf.com.au
- **Code# 3182.043A (Chrome)**

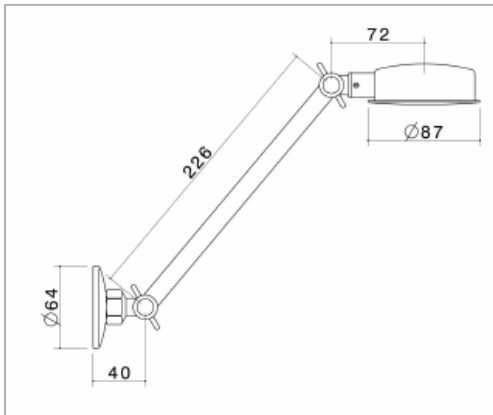
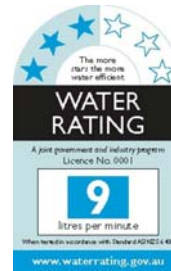


Fixed All Directional Outlet



Irwell Fixed All Directional Shower Outlet

- 3 star WELS rated
- www.irwell.com.au
- Code# 872710C3A

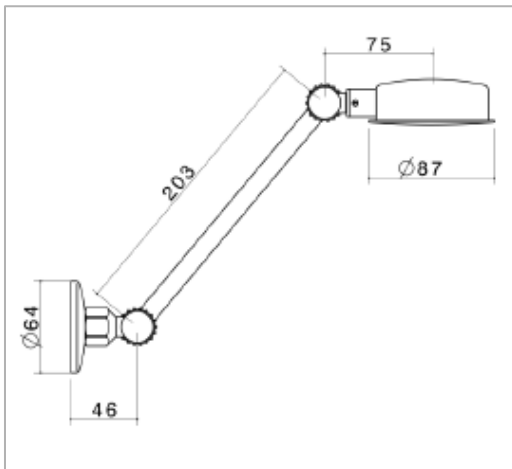


Irwell Stayfast



Irwell Stayfast Shower Outlet

- 3 star WELS rated
- www.irwell.com.au
- Code# 872710C3A

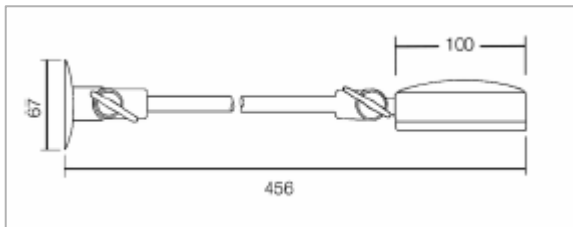


No. 94 Shower Outlet

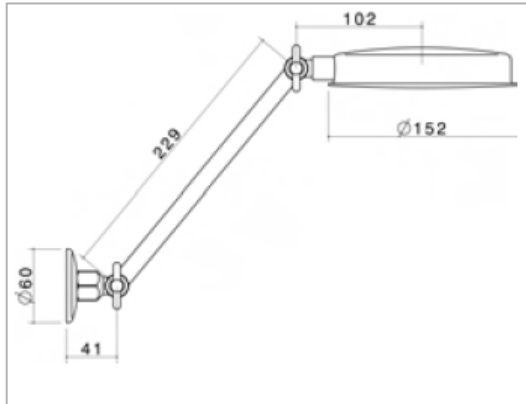


Dorf **No.94** Shower Outlet

- 3 star WELS rated
- Adjustable joints at shower and wall fittings
- Fully adjustable arm with full swivel rose
- Water flow restricted to 12 litres/minute
- www.dorf.com.au
- **Code# 3168.043A**



No. 77 Shower Outlet



Dorf No. 77 Shower Outlet

- 3 star WELS rated
- www.dorf.com.au
- Code# 3187.043A



SHOWER SEATS

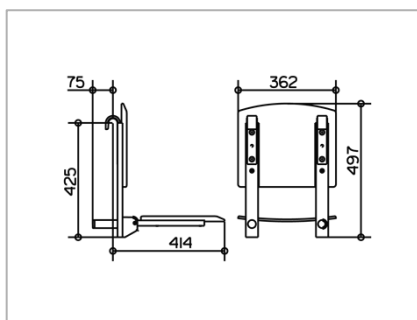
Plan Care Tip-Up Seats



Keuco Plan

Tip Up Seat, Chrome

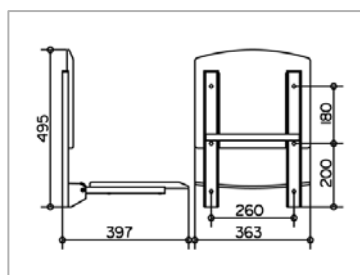
- With Plan shower seats, the bathroom offers uncompromising functionality, coupled with enduring aesthetic appeal
- Tip-up, for rail system, with back rest
- www.keuco.de
- **Code# 34981 010037**



Keuco Plan

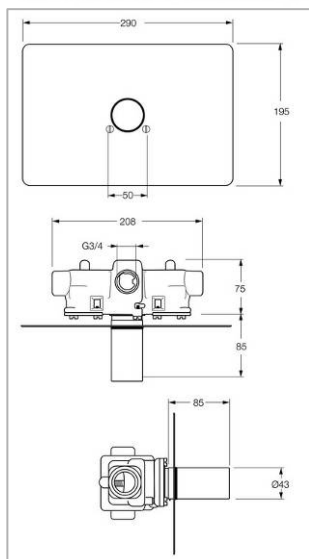
Tip Up Seat, Chrome

- With Plan shower seats, the bathroom offers uncompromising functionality, coupled with enduring aesthetic appeal
- Tip-up, for wall mounting with back rest
- www.keuco.de
- **Code# 34982 010037**



MIXING VALVES

Commercial TMV

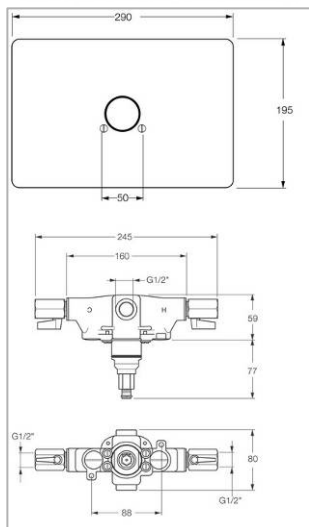


Hansa 805 20mm TMV

- Complete Set includes TMV Body and Trim Kit
- Can be supplied with lock shield and/or cover plate
- Installation body is a Hansa 8050100
- Trim kit comprises temperature control handle, sleeve and backplate
- With strainer filters and non return valves
- www.hansataps.com

Code#

- 20mm TMV Body **805/S**
- 20mm TMV Body + Lockshield **805/SL**
- 20mm TMV Body + Lockshield + Rectangular Coverplate **805/SLR**



Hansa 802 15mm TMV

- Complete Set includes TMV Body and Trim Kit
- Can be supplied with isolating valves, lock shield and/or cover plate options
- Installation body is a Hansa 8020100
- Trim kit comprises temperature control handle, sleeve and backplate
- With strainer filters and non return valves
- www.hansataps.com

Code#

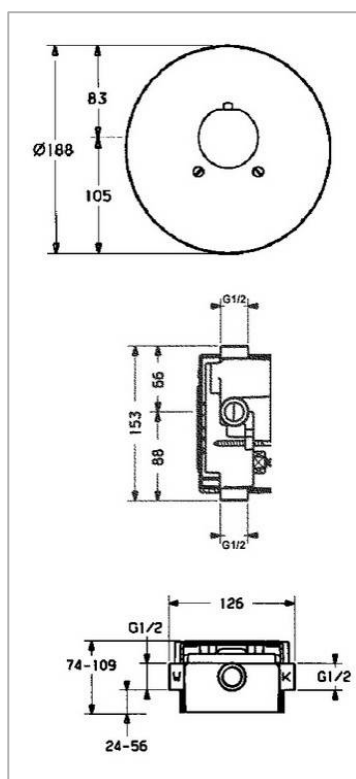
- 15mm TMV Body **802/S**
- 15mm TMV Body + Lockshield **802/SL**
- 15mm TMV Body + Lockshield + Rectangular Backplate **802/SLR**

Designo Domestic TMV



Hansa **Designo TMV** (Multi Point - No On/Off Control)

- Complete Set includes TMV Body and Trim Kit
- Temperature control handle preset at 38 degrees to provide protection against scalding
- Installation body is a Hansavario 804
- Trim kit comprises Designo temperature control handle, sleeve and backplate
- 5 Year Product Warranty
- Flow Rate = 22 l/min (shower/bath) @ 300 kPa (flow pressure)
- Installation Depth = 74 - 109mm
- Backplate = 188mm diameter
- www.hansataps.com



Code#

- COMPLETE SETS (INCLUDES TRIM KIT & BODY):-
Chrome (Vario - 15mm Multi Point) **51120102**
- COMPONENTS (SELECT 1 TRIM KIT & 1 BODY):-
Chrome (Trim Kit) **51129102**
- COMPONENTS (SELECT 1 TRIM KIT & 1 BODY):-
Body (Vario - 15mm Multi Point) **08040290**

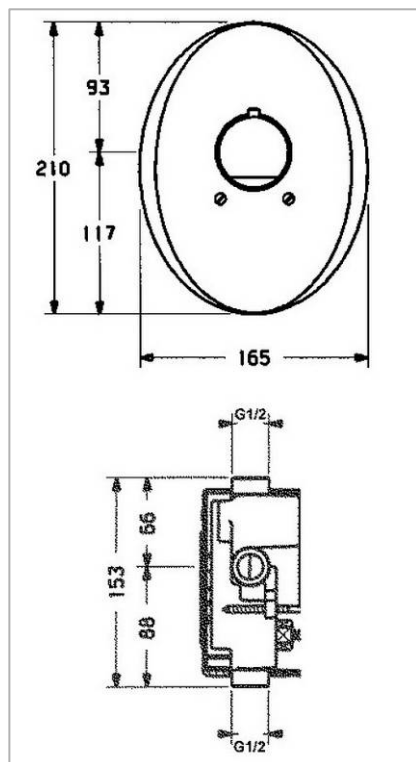
Star Domestic TMV



Hansa Star TMV

(Multi Point - No On/Off Control)

- Complete Set includes TMV Body and Trim Kit
- Polystyrene packing insulation included with body (approx. 7mm extra depth required)
- Temperature control handle preset at 38 degrees to provide protection against scalding
- Installation body is a Hansavario 804
- Trim kit comprises temperature control handle, sleeve and backplate
- 5 Year Product Warranty
- Flow Rate = 22 l/min @ 300 kPa (flow pressure)
- Installation Depth = 74 - 109mm
- Backplate = 165 x 210mm
- www.hansataps.com



Code#

- COMPLETE SETS (INCLUDES TRIM KIT & BODY):-
Chrome (Vario - 15mm Multi Point) **58650105**
- COMPONENTS (SELECT 1 TRIM KIT & 1 BODY):-
Chrome (Trim Kit) **58659105**
- COMPONENTS (SELECT 1 TRIM KIT & 1 BODY):-
Body (Vario - 15mm Multi Point) **08040290**

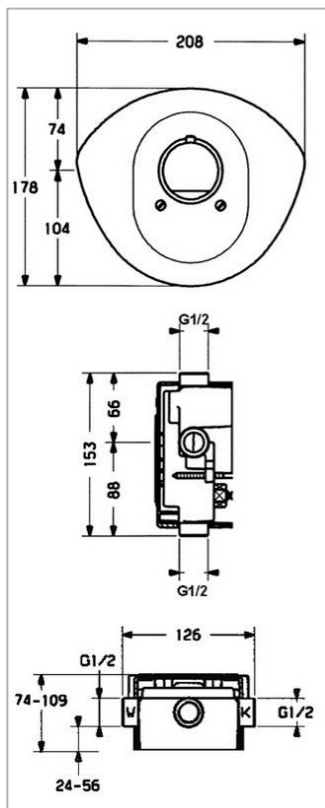
Ronda Domestic TMV



Hansa Ronda TMV

(Multi Point - No On/Off Control)

- Complete Set includes TMV Body and Trim Kit
- Temperature adjustment handle preset at 38 degrees to provide protection against scalding
- Installation body is a Hansavario 804
- Trim kit comprises, temperature adjustment handle, sleeve and backplate
- Thermostat cartridge has integrated volume control and dirt collecting filter
- 5 Year Product Warranty
- Flow Rate = 22 l/min @ 300 kPa (flow pressure)
- Installation Depth = 74 - 109mm
- Backplate = 208 x 178mm
- www.hansataps.com



Code#

- COMPLETE SETS (INCLUDES TRIM KIT & BODY):-
Chrome (Vario - 15mm Multi Point) **08650195**
- COMPONENTS (SELECT 1 TRIM KIT & 1 BODY):-
Chrome (Trim Kit) **08659195**
- COMPONENTS (SELECT 1 TRIM KIT & 1 BODY):-
Body (Vario - 15mm Multi Point) **08040290**

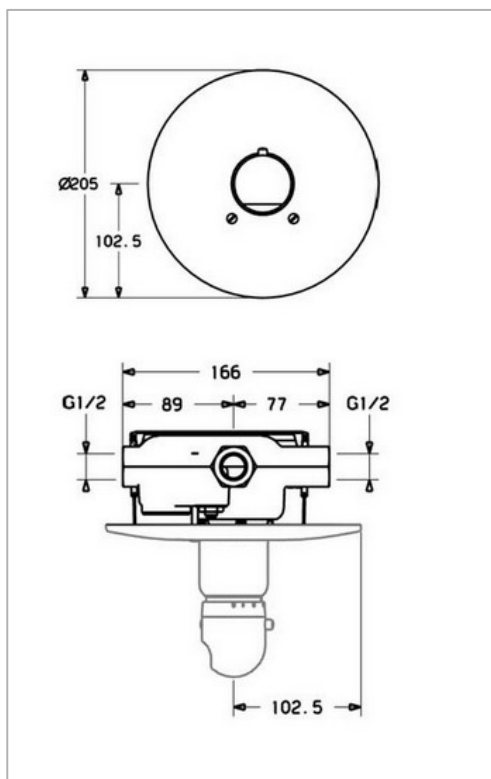
Mix Neu Domestic TMV



Hansa Mix Neu TMV

(Multi Point - No On/Off Control)

- Complete Set includes TMV Body and Trim Kit
- Temperature adjustment handle preset at 38 degrees to provide protection against scalding
- Polystyrene packing insulation included with body (approx. 7mm extra depth required)
- Installation body is a Hansavario 804
- Trim kit comprises, temperature adjustment handle, sleeve and backplate
- 5 Year Product Warranty
- Flow Rate = 22 l/min @ 300kPa (flow pressure)
- Installation Depth = 74-109mm
- Backplate = 205mm diameter
- www.hansataps.com



Code#

- COMPLETE SETS (INCLUDES TRIM KIT & BODY):-
Chrome (Vario - 15mm Multi Point) **08600175**
- COMPONENTS (SELECT 1 TRIM KIT & 1 BODY):-
Chrome (Trim Kit) **08609175**
- COMPONENTS (SELECT 1 TRIM KIT & 1 BODY):-
Body (Vario - 15mm Multi Point) **08040290**

Piccolo Domestic TMV



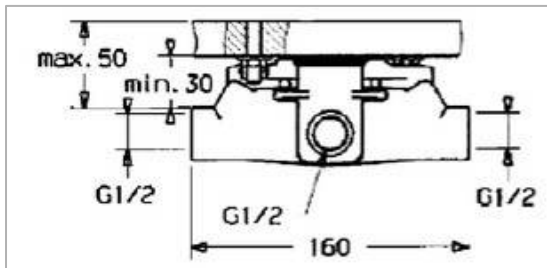
Hansa Piccolo TMV

(Multi Point - No On/Off Control)

- Complete set includes Installation Unit & Trim Kit
- Installation body is a Hansa 8020100
- Trim kit comprises temperature adjustment handle, sleeve and backplate
- 5 Year Product Warranty
- Flow Rate = 24 l/min @ 300 kPa (flow pressure)
- Installation Depth = 30 - 50mm
- www.hansataps.com

Code#

- COMPLETE SETS (INCLUDES TRIM KIT & BODY):-
Chrome **08020105**
- COMPONENTS (SELECT 1 TRIM KIT & 1 BODY):-
- Chrome (Trim Kit) **08909105**
- Body (TMV DN15 - Multi Point) **08020100**



Lux Shut Off Valve

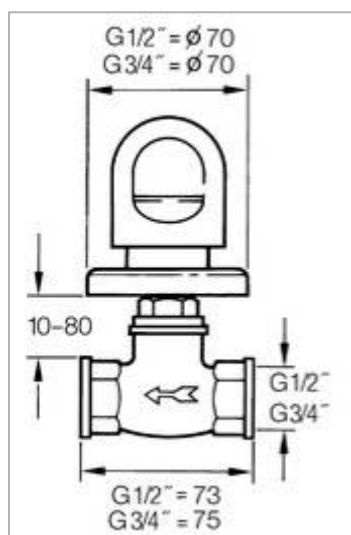


Hansa **Lux** Shut Off Valve

- Standard bodies have threaded connections with installation depth 15-50mm
- Ceramic bodies have threaded connection with installation depth 10-80mm
- Standard bodies feature exchangeable valve seat
- Trim Kit comprises Lux operating handle and backplate
- www.hansataps.com

Code#

- COMPONENTS (SELECT 1 TRIM KIT & 1 BODY):-
Chrome (Trim Kit) **02289135**
- COMPONENTS (SELECT 1 TRIM KIT & 1 BODY):-
White (Trim Kit) **0228913582**
- COMPONENTS (SELECT 1 TRIM KIT & 1 BODY):-
Body (DN15 - Ceramic) **022501000037**
- COMPONENTS (SELECT 1 TRIM KIT & 1 BODY):-
Body (DN20 - Ceramic) **022601000037**



Lux Multi-Way Diverter

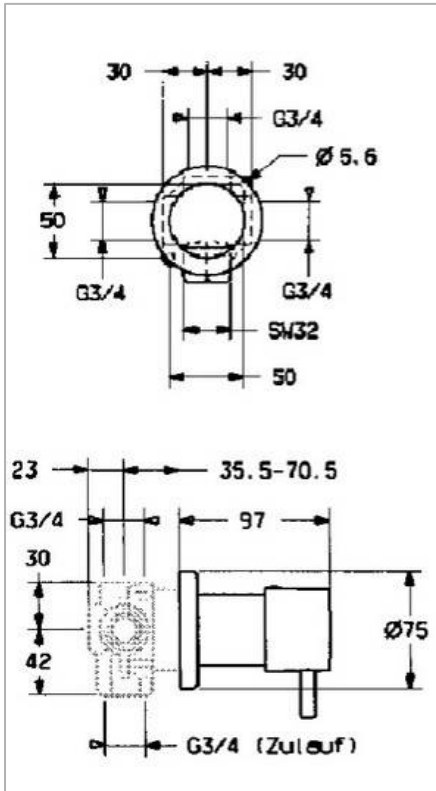


Hansa **Lux** Multi-Way Diverter

- 1 mixed water inlet - 20mm
- 3 x outlets - 20mm
- Inwall body complete with diverter and protective cover
- Trim Kit comprises Lux operating handle, sleeve and backplate
- www.hansataps.com

Code#

- COMPONENTS (SELECT 1 TRIM KIT & 1 BODY):-
Chrome (Trim Kit) **02879135**
- COMPONENTS (SELECT 1 TRIM KIT & 1 BODY):-
White (Trim Kit) **0287913582**
- COMPONENTS (SELECT 1 TRIM KIT & 1 BODY):-
Body **02850100**



Warranty Info

Caroma / Dorf / Irwell Tapware

Category	Warranty Period	Warranty Details
Dorf All	5/3/1 Years	<p>5 Years Ceramic Disc Cartridge – parts only.</p> <p>Excludes damage to ceramic disk cartridges from pieces of copper tube, plastic tube, sand, dirt or thread tape etc.</p> <p>3 Years replacement product or parts.</p> <p>1 Year replacement product or parts & labour.</p> <p>3 Months – Jumper Valves parts only.</p>
Caroma All	5/3/1 Years	<p>5 Years Ceramic Disc Cartridge – parts only.</p> <p>Excludes damage to ceramic disk cartridges from pieces of copper tube, plastic tube, sand, dirt or thread tape etc.</p> <p>3 Years replacement product or parts.</p> <p>1 Year replacement product or parts & labour.</p> <p>3 Months – Jumper Valves parts only.</p>
Irwell All	5/1 Years	<p>5 Years Ceramic Disc Cartridge – parts only.</p> <p>Excludes damage to ceramic disk cartridges from pieces of copper tube, plastic tube, sand, dirt or thread tape etc.</p> <p>1 Year replacement product or parts & labour.</p> <p>3 Months – Jumper Valves parts only.</p>
Donson All	5/1 Years	<p>5 Years Ceramic Disc Cartridge – parts only.</p> <p>Excludes damage to ceramic disk cartridges from pieces of copper tube, plastic tube, sand, dirt or thread tape etc.</p> <p>1 Year replacement product or parts & labour.</p> <p>3 Months – Jumper Valves parts only.</p>

Stylus Tapware

Category	Warranty Period	Warranty Details
Mixers	5 years	<ul style="list-style-type: none"> • 5 years Ceramic disk cartridges - parts only Note: Excludes damage to ceramic disk cartridges from pieces of copper tube, plastic tube, sand, dirt or thread tape etc. • 1 year replacement product or parts and labour
Tapware	1 year	<ul style="list-style-type: none"> • 1 year replacement product or parts and labour Note: Jumper valves – 3mths parts only
Showers	1 year	<ul style="list-style-type: none"> • 1 year replacement product or parts and labour
Accessories	1 year	<ul style="list-style-type: none"> • 1 year replacement product or parts

Warranty Info

Hansa Tapware

5 years: All Hansa products - unless specified otherwise
Five (5) years parts and labour commencing from **date of purchase** of the product plus further included period from **purchase date to installation date** but only up to max. six (6) months

15 years*: Ceramic cartridges – incorporated in product
Five (5) years parts and labour commencing from **date of purchase** of the product plus further included period from **purchase date to installation date** but only up to max. six (6) months

After five (5) years, a further additional ten (10) years replacement part warranty is applicable. This extended parts only warranty is non-transferable and applies only to the original purchaser

2 years: Electronic products
Two (2) years parts and labour commencing from **date of purchase** of the product plus further included period from **purchase date to installation date** but only up to max. six (6) months

2 years*: Wear and Tear Components
Two (2) years parts and labour commencing from **date of purchase** of the product plus further included period from **purchase date to installation date** but only up to max. six (6) months

*Also refer to minor component replacements