

**RYEMETAL**

**mora**

**ma armatur**



***Thermostatic Valves***

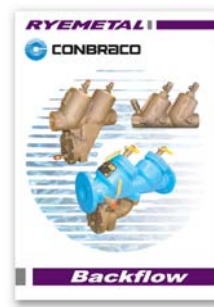
# Other publications also available from Ryemetal



## Rye Brass

The most comprehensive range of plumbers brassware manufactured in Australia.

Made to the highest standards Rye brass fittings feature increased wall thickness, longer threads, wider nuts and tapered male threads



## Backflow

Featuring the Conbraco range of backflow prevention products, Ryemetals backflow range is complemented by a range of Australian made low hazard products and accessories including dual checks, hose connection vacuum breakers, backflow test kits and tools.



## Tap Restoration

It's not just the jumper valve with the O-Ring seal. Australia's most respected jumper valve range also has a complete range of tap restoration products including tap seat refacing tools, bonnet cleaners, and reseating kits.



## Electronics

The Ryetronic range of electronic "hands-free" tapware and flushing systems. Regarded for its reliability, servicability and standard features. Commonly specified as the standard for commercial, medical, hospitality and domestic applications.



## Thermostatic Valves

The quality Mora range of thermostatic mixing valves. Reliable and simple to service, supported by a full range of spare parts and accessories including flow controllers outlets and disabled levers.



## Tempering Valves

Well known for its reliability in service, the Tempshield tempering valve range is available in both standard and high performance versions.

The range is available with flared, copper olive, conetite and tap connector ends and is also available with isolating valves on request.



## Water Hammer

Manufactured from a seamless piece of type L copper tube. The Sioux Chief range of water hammer arrestors is available in a wide range of versions from 15mm to 100mm to suit both commercial and domestic applications.



## National Trade Price List

The Ryemetal National Trade Price List provides a complete price reference for all products available in our range.

To obtain a copy of these or other publications please contact us on 03 8531 2222 or visit our website [www.ryemetal.com](http://www.ryemetal.com) to download a pdf version.

## CONTENTS

	Page
<b>Introduction/Approvals</b>	2
<b>Product Overview</b>	3
<b>Concealed Bath/Shower</b>	4
<b>Exposed for Multiple Outlets</b>	5
<b>Exposed Bath/Shower Bottom / Top Outlet</b>	6
<b>Exposed Multiple Outlets with Lockshield Top Outlet</b>	7
<b>Multiple Outlet in Lockable Enclosure</b>	8
<b>Exposed Mini Bath / Shower</b>	9
<b>Spare parts &amp; Accessories</b>	
Concealed Bath/Shower	10
Exposed for Multiple Outlets	11
Exposed Bath/Shower Bottom / Top Outlet	12
Exposed Multiple Outlets with Lockshield Outlet	13
Multiple Outlet in Lockable Enclosure	14
Exposed Mini Bath / Shower	15

## INTRODUCTION

Ryemetal is the distributor in Australia for the Thermostatic Mixing Valves from Mora Armatur of Sweden.

Mora is one of Europe's leading manufacturers and is the winner of numerous international design awards. Its production facilities in Sweden offer the ultimate in advanced robotic manufacturing and quality control.

Mora products meet with and exceed the most exacting international standards and have all been approved by Australian Water Authorities.

## STANDARDS AND PRODUCT APPROVALS

### QEC LICENCE

Ryemetal's head office and manufacturing facility is located in Melbourne. Ryemetal is accredited as a quality endorsed company, maintaining QEC licence number 953 to the international QEC Standard ISO 9001.



### PRODUCT APPROVALS

A range of Thermostatic Mixing Valves has also been designed to meet the special requirements of Australian Health Care Facilities and to meet AS4032



## PRODUCT OVERVIEW

Moraterm Thermostatic Mixers automatically regulate the input flows of cold and hot water to ensure an output with a constant set temperature. Hundreds of thousands have been installed around the world where they have earned the reputation for being extremely reliable and accurate.

When you take a shower it is comforting to know that it is a Moraterm valve that protects you from sudden changes in water temperature caused by nearby users of hot or cold water from the same supply. Without such protection, it is not uncommon for children to receive a sudden cascade of very hot water from the shower when the toilet is flushed. Conversely, the shower can run cold simply because the washing machine has been switched on.

Moraterm Thermostatic Mixing Valves are ideal for use in:

- Homes
- Hairdressers
- Sporting complexes
- Institutions
- Laboratories
- Hospitals
- Child care centres
- Hotels
- Aged and disabled care facilities

## EFFECTIVE AND RELIABLE

The mixing valve has very few moving parts. In fact, it is the simplicity of the design that makes it so effective and reliable.

When there is a change in the temperature or pressure of the cold or hot water supply to the valve, the thermostat changes the position of the piston so that the respective flows are adjusted to quickly stabilize the temperature of the output water.

For those that prefer a hotter shower, it is possible to temporarily increase the temperature of the output water. Pressing a red button on the handle allows it to be turned a further 7°C. Even at this increased temperature, the water is not dangerously hot.

The Rye-Mora range includes models for exposed and concealed installation, with or without accessible temperature adjustment, and for specialized use in hospitals. They are attractively designed and include numerous features to make their operation simple and safe.

**Failsafe.** In the event of an interruption to the cold water supply, the valve immediately shuts off, preventing scalding.

**Simple and cost effective.** Apart from the temperature spindle, the valve has only one major moving part - the lime resistant, Teflon coated piston. Maintenance is very easy and quickly completed. Spare parts are readily available.

**Balancing water pressures.** The valve is designed to handle all normal water pressure fluctuations. In situations where large variations in pressure can be expected, a Mora pressure balancing device part no. 129360 may be installed to give the valve a dual control feature.

# THERMOSTATIC MIXING VALVES CONCEALED BATH/SHOWER



### PRODUCT CODES

700073.00

TMV Concealed Bath / Shower Chrome

### DESCRIPTION

The Rye-Mora concealed bath / shower thermostatic mixing valve is available in a chrome finish. The valve connects to standard 15mm (1/2") inlet pipes and may be located at any convenient height or position.

The safety button on the temperature control handle prevents accidental selection of higher temperature above the set maximum. Should a higher temperature be required the safety button may be pressed to allow further temperature increase. Rye-Mora thermostatic mixing valves incorporate an anti-scold fail safe system designed to shut the outlet flow should the cold water supply be interrupted.

### OPERATION

The temperature of the outlet water may be adjusted at any time by turning the control handle to the desired setting. To select outlet temperature above the set maximum, the safety button on the temperature control handle is pressed to release the lock and the handle is turned to gain up to another 7°C. A loss of the cold water inlet supply results in a shutdown of the outlet flow to avoid possible scolding of the user.

**Note:** A flow control valve must be installed downstream of the mixing valve to allow on / off operation of the fixture.

### FEATURES

- Suitable for supplying water at 46°C and hence ideal for use with bath, shower and basin combination
- Easy grip handle for temperature adjustment
- Stop button limits primary water temperature to a safe 38°C - suitable for infant bathing
- Valve is accurate to set temperature by  $\pm 1^\circ\text{C}$
- Built in non-return valves protect against cross connection
- Approved to Australian Standard AS 4032
- Incorporates anti-scold fail safe system

### TECHNICAL DATA

FINISH Chrome

INLETS Thread: 15mm (1/2") female BSP, hot & cold

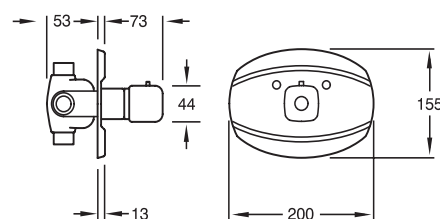
OUTLETS Thread: 15mm (1/2") female BSP, top & bottom

### APPLICATION

The Rye-Mora concealed bath / shower TMV is ideal for use in private dwellings, motels and retail premises.

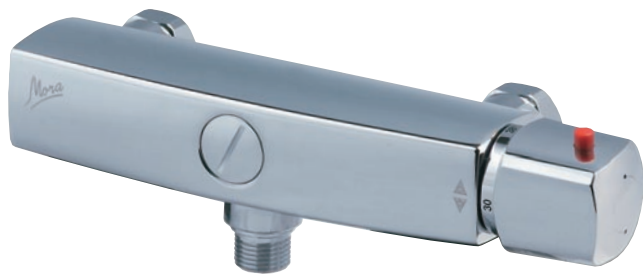
### SPECIFICATION STATEMENT

*Rye-Mora chrome concealed thermostatic mixing valve, model no. 700073.00, shall be approved to AS 4032 and be installed in accordance with the manufacturer's instructions. The valve shall incorporate built in non-return valves and filters.*





## THERMOSTATIC MIXING VALVES EXPOSED FOR MULTIPLE OUTLETS



### PRODUCT CODES

700110.00 TMV Exposed for Multi Outlets

### DESCRIPTION

The Rye-Mora exposed thermostatic mixing valve is available in a chrome finish and is suitable for multiple outlets where a tempered water supply is required. Rye-Mora thermostatic mixing valves incorporate an anti-scold fail safe system designed to shut the outlet flow should the cold water supply be interrupted.

### OPERATION

The temperature of the outlet water may be adjusted at any time by turning the control handle to the desired setting.

To select outlet temperature above the set maximum, the safety button on the temperature control handle is pressed to release the lock and the handle is turned to gain up to another 7°C. A flow control valve must be installed downstream of the mixing valve to allow on/off operation of fixtures. A loss of the cold water inlet supply results in a shut down of the outlet flow to avoid possible scolding of the user.

### FEATURES

- Stop button limits primary water temperature to a safe 38°C - suitable for infant bathing
- Valve is accurate to set temperature by  $\pm 1^{\circ}\text{C}$
- Built in non-return valves protect against cross connection
- Suitable for multiple outlets
- Approved to Australian Standard AS 4032
- Incorporates loss of cold supply failsafe system

### SPECIFICATION STATEMENT

*Rye-Mora chrome thermostatic mixing valve model no. 700110.00, shall be approved to AS 4032 and be installed in accordance with the manufacturer's instructions. The valve shall be suitable for direct connection to 20 mm inlet pipes and incorporate built in non-return valves and filters.*

### TECHNICAL DATA

FINISH Chrome

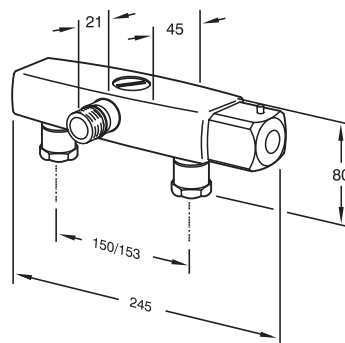
INLETS Thread: 20mm (3/4") female BSP, loose union connections

Distance between centres: 150 to 153mm

OUTLET Thread: 15mm (1/2") male BSP for handshower, 20mm (3/4") male BSP available on request

### APPLICATION

The Rye-Mora exposed TMV is ideal for use in child care centres, commercial premises and surgeries.



# THERMOSTATIC MIXING VALVES

## EXPOSED BATH/SHOWER TOP OUTLET



### PRODUCT CODES

**700130.00** TMV Exposed Bath/Shower with Stopcock Top Outlet

### DESCRIPTION

The Rye-Mora exposed bath/shower thermostatic mixing valve is available in a chrome finish and incorporates an ergonomically designed flow control handle. Rye-Mora thermostatic mixing valves incorporate an anti-scold fail safe system designed to shut the outlet flow should the cold water supply be interrupted.

### OPERATION

The temperature of the outlet water may be adjusted at any time by turning the control handle to the desired setting.

To select outlet temperature above the set maximum, the safety button on the temperature control handle is pressed to release the lock and the handle is turned to gain up to another 7°C. A loss of the cold water inlet supply results in a shut down of the outlet flow to avoid possible scolding of the user. The flow control valve allows on / off operation of the fixture.

### FEATURES

- Stop button limits primary water temperature to a safe 38°C - suitable for infant bathing
- Maximum temperature can be selected at time of installation
- Valve is accurate to set temperature by  $\pm 1^\circ\text{C}$
- Built in non-return valves protect against cross connection
- Available with bottom or top outlet
- Approved to Australian Standard AS 4032
- Incorporates anti-scold fail safe system

### SPECIFICATION STATEMENT

*Rye-Mora chrome thermostatic mixing valve model no.700130.00, with flow control valve, shall be approved to AS 4032 and be installed in accordance with the manufacturer's instructions. The valve shall be suitable for direct connection to 20mm inlet pipes and incorporate built in non-return valves and filters.*

### TECHNICAL DATA

FINISH Chrome

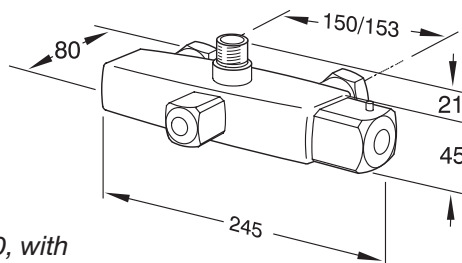
INLETS Thread: 20mm (3/4") female BSP, loose union connections

Distance between centres: 150 to 153mm

OUTLET Thread: 15mm (1/2") male BSP for handshower, attachment 20mm (3/4") male BSP available on request

### APPLICATION

The Rye-Mora exposed bath / shower TMV is ideal for use in private dwellings, child care centres and commercial laboratories.





## THERMOSTATIC MIXING VALVES EXPOSED MULTIPLE OUTLETS WITH LOCKSHIELD



### PRODUCT CODES

<b>700119.00</b>	TMV Exposed Multiple Outlets with Lockshield Bottom Outlet Chrome
<b>700118.00</b>	TMV Exposed Multiple Outlets with Lockshield Top Outlet Chrome

### DESCRIPTION

The Rye-Mora exposed multi outlet thermostatic mixing valve with lockshield is available in a chrome finish.

The exposed valve has tamper proof temperature control and a high outlet flow rate. Rye-Mora thermostatic mixing valves incorporate an anti-scold fail safe system designed to shut the outlet flow should the cold water supply be interrupted.

### OPERATION

The temperature of the outlet water may be adjusted when necessary by removing the lockshield, inserting the special tool and turning until the desired setting is achieved. A loss of the cold water inlet supply results in a shut down of the outlet flow to avoid possible scolding of the user.

A flow control valve must be installed downstream of the mixing valve to allow on / off operation of fixtures.

### FEATURES

- Easy to install and maintain
- Water temperature setting can be adjusted only with the use of a special key provided with the unit
- Valve is accurate to set temperature by  $\pm 1^{\circ}\text{C}$
- Built in non-return valves protect against cross connection
- Available with bottom or top outlet
- Approved to Australian Standard AS 4032
- Incorporates anti-scold fail safe system

### SPECIFICATION STATEMENT

Rye-Mora chrome thermostatic mixing valve model no. 700118.00 & 700119.00, with tamper resistant temperature selection, shall be approved to AS 4032 and be installed in accordance with the manufacturer's instructions. The valve shall be suitable for direct connection to 20mm inlet pipes and incorporate built in non-return valves and filters.

### TECHNICAL DATA

FINISH Chrome

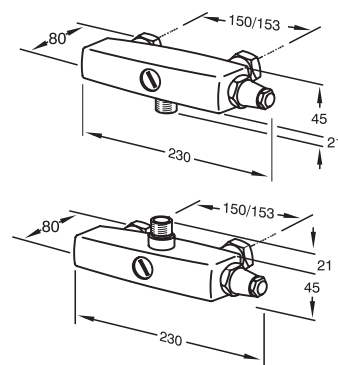
INLETS Thread: 20mm (3/4") female BSP, loose union connections

Distance between centres: 150 to 153mm

OUTLET Thread: 15mm (1/2") male BSP for handshower, bottom or top attachment 20mm (3/4") male BSP available on request

### APPLICATION

The Rye-Mora exposed TMV is ideal for use in hospitals, prescribed accommodation and aged care facilities.



# THERMOSTATIC MIXING VALVES MULTIPLE OUTLET IN LOCKABLE ENCLOSURE



### PRODUCT CODES

**700119SS**

TMV Multiple Outlet in Lockable Stainless Steel Enclosure

### DESCRIPTION

The Rye-Mora multi outlet thermostatic mixing valve in a lockable stainless steel box has been especially designed for installations where temperature control is to be accessed by authorized persons only. The enclosed valve may be located on a wall surface or between the wall studs. Rye-Mora thermostatic mixing valves incorporate an anti-scold fail safe system designed to shut the outlet flow should the cold water supply be interrupted.

### OPERATION

The temperature of the outlet water may be adjusted when necessary by accessing the box, removing the lockshield, inserting the special tool and turning until the desired setting is achieved. A loss of the cold water inlet supply results in a shut down of the outlet flow to avoid possible scolding of the user.

Flow control valves must be installed downstream of the mixing valve to allow on / off operation of the fixtures.

### FEATURES

- Valve housed in a lockable stainless steel cabinet
- Provides a tamper proof system that is quick and easy to install and maintain as the isolating stop valves and Sisco test plug form part of the assembly
- Water temperature setting can be adjusted only with the use of a special key provided with the unit
- Valve is accurate to set temperature by  $\pm 1^{\circ}\text{C}$
- Built in non-return valves protect against cross connection
- Approved to Australian Standard AS 4032
- Incorporates anti-scold fail safe system

### SPECIFICATION STATEMENT

*Rye-Mora chrome thermostatic mixing valve in a stainless steel box, model no. 700119SS, shall be approved to AS 4032 and be installed in accordance to the manufacturer's instructions. The valve assembly, filters and stop valves shall be entirely enclosed in the lockable box.*

### TECHNICAL DATA

CABINET Material: Stainless Steel

Dimensions: 345mm x 345mm x 95mm

Access: Lockable Cover

FINISH Polished Stainless Steel

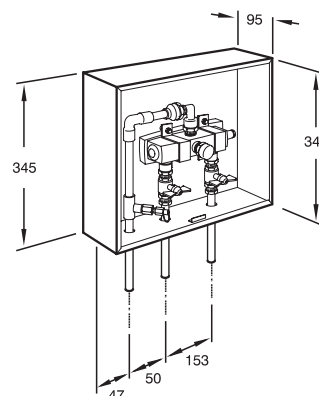
INLETS 20mm copper tube

Distance between centres: 150 to 153mm

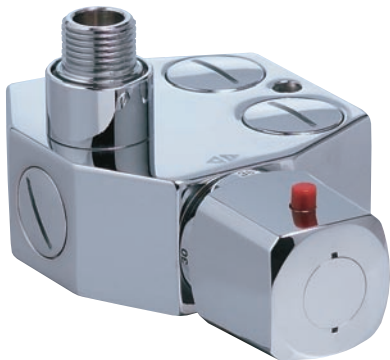
OUTLET 20mm copper tube

### APPLICATION

The Rye-Mora enclosed multiple outlet TMV is ideal for use in hospitals, aged care facilities and institutions.



## THERMOSTATIC MIXING VALVES EXPOSED MINI BATH/SHOWER



### PRODUCT CODES

700210.00 TMV Exposed Mini Chrome

### DESCRIPTION

The temperature of the outlet water may be adjusted at any time by turning the control handle to the desired setting. To select outlet temperature above the set maximum, the safety button on the temperature control handle is pressed to release the lock and the handle is turned to gain up to another 7°C. A loss of the cold water inlet supply results in a shutdown of the outlet flow to avoid possible scolding of the user.

A flow control valve must be installed downstream of the mixing valve to allow on / off operation of the fixture.

### OPERATION

The Rye-Mora exposed mini bath / shower thermostatic mixing valve is available in a chrome finish. The integrated safety lock prevents the outlet temperature rising above 38°C unless the safety button is depressed at the control handle, allowing a further 7°C to be gained. This makes the valve ideal for bathing infants or the infirmed. Rye-Mora thermostatic mixing valves incorporate an anti-scold fail safe system designed to shut the outlet flow should the cold water supply be interrupted.

### FEATURES

- Easy grip handle for temperature adjustment
- Stop button limits primary water temperature to a safe 38°C - suitable for infant bathing
- Maximum temperature can be selected at time of installation
- Valve is accurate to set temperature by  $\pm 1^\circ\text{C}$
- Built in non-return valves protect against cross connection
- Approved to Australian Standard AS 4032
- Incorporates anti-scold fail safe system

### SPECIFICATION STATEMENT

*Rye-Mora chrome thermostatic mixing valve, model no. 700210.00, shall be approved to AS 4032 and be installed in accordance to the manufacturer's instructions. The valve shall be suitable for direct connection to 15 mm inlet pipes and incorporate built in non-return valves and filters.*

### TECHNICAL DATA

FINISH Chrome

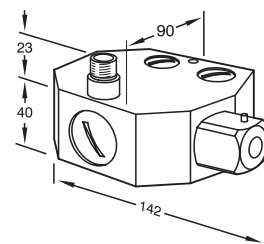
INLETS Thread: 15mm  
(1/2") male BSP, reversible

Distance between centres:  
40mm

OUTLET Thread: 15mm  
(1/2") male BSP for  
handshower

### APPLICATION

The Rye-Mora exposed TMV is ideal for use in child minding centers, prescribed accommodation, private dwellings, hairdressers and retail premises.



## SPARE PARTS & ACCESSORIES

### CONCEALED BATH/SHOWER



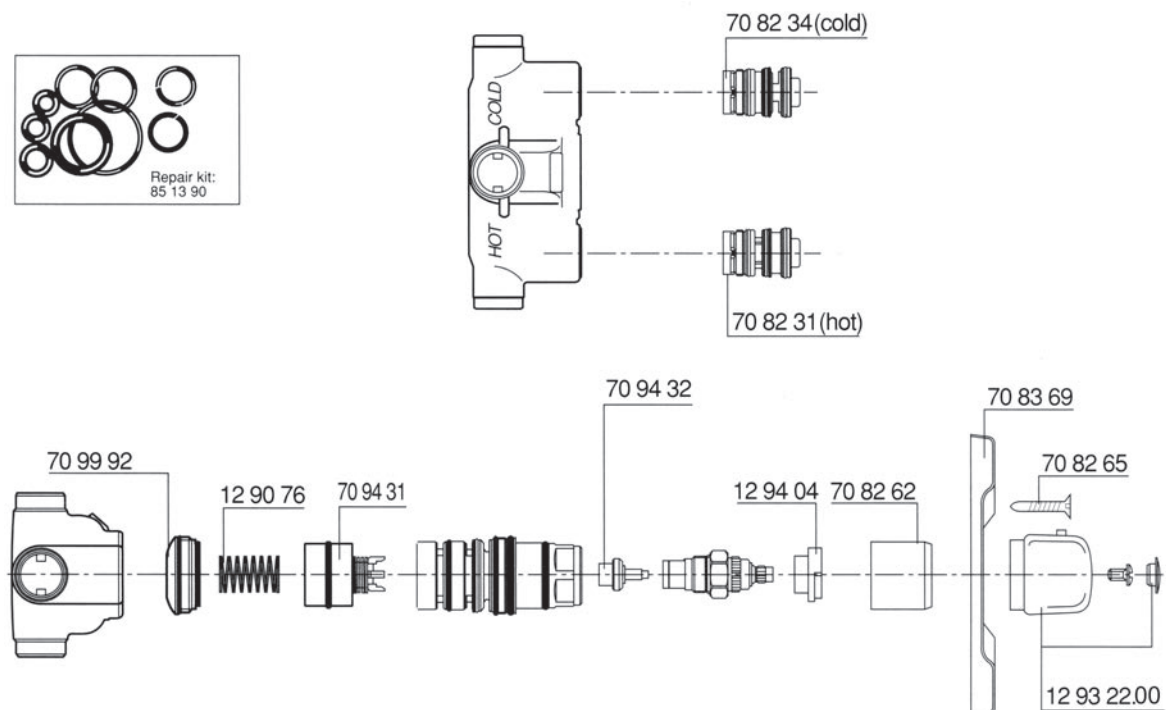
APPLICABLE TO PRODUCT CODE  
700073.00

#### SPARE PARTS

<b>851390</b>	Service Kit
<b>129322.00</b>	Temperature Control Handle
<b>709432</b>	Thermostat
<b>709431</b>	Piston
<b>129076</b>	Spring
<b>709992</b>	End Cap
<b>708262</b>	Sleeve
<b>709850</b>	Screws Faceplate
<b>708369</b>	Mora cover plate

#### ACCESSORIES

<b>701690.00</b>	Stop taps chrome
<b>708234</b>	Non return valve- cold water
<b>709231</b>	Non return valve- hot water



## SPARE PARTS & ACCESSORIES EXPOSED FOR MULTIPLE OUTLETS



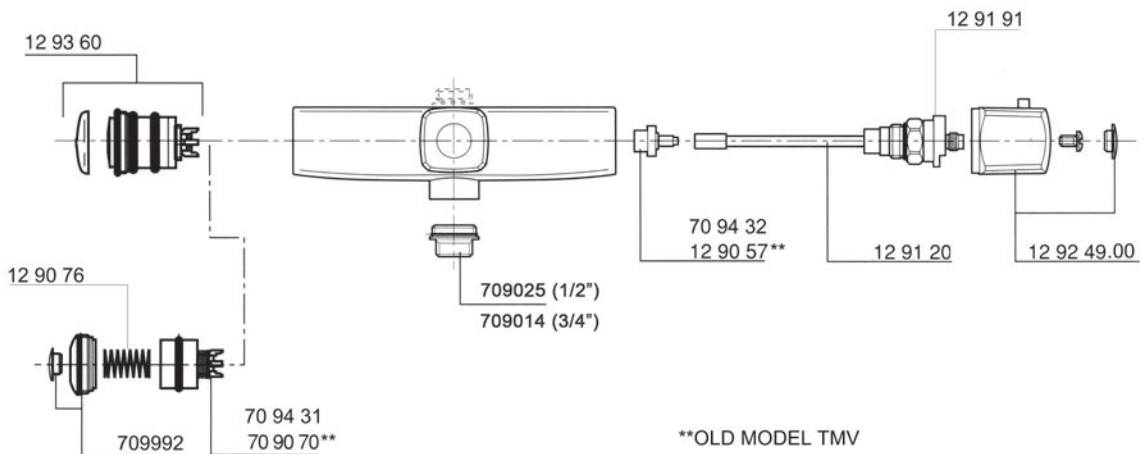
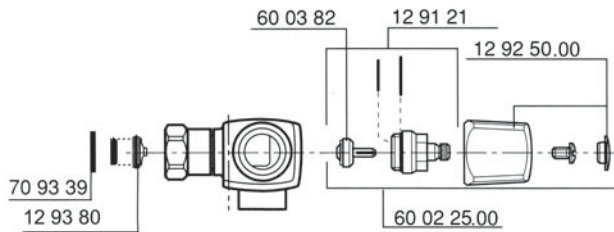
APPLICABLE TO PRODUCT CODE  
700110.00

### SPARE PARTS

<b>851260</b>	Service Kit
<b>709432</b>	Thermostat
<b>709431</b>	Piston
<b>129076</b>	Spring
<b>709992</b>	End Cap
<b>709014</b>	20mm Outlet Nipple
<b>709025</b>	15mm Outlet
<b>129322.00</b>	Temperature Control Handle
<b>129360</b>	Pressure Balancing Valve
<b>129120</b>	Temperature Spindle
<b>129191</b>	Stop Ring
<b>129249.00</b>	Temperature Handle Chrome

### ACCESSORIES

<b>701010.00</b>	Eccentric Isolator 10mm (pair) Chrome
<b>701011.00</b>	Eccentric Connector 40mm (pair) Chrome
<b>701013.00</b>	Eccentric Connector 80mm (pair) chrome
<b>701015.00</b>	Eccentric Connector 125mm (pair) Chrome
<b>620400</b>	Conversion Nipple Female (pair) 18mm x 15mm
<b>620401</b>	Conversion Nipple Male (pair) 18mm x 20mm
<b>709339</b>	Seal 24/15 2 pc
<b>129380</b>	Non-return valve and filter for exposed TMV
<b>600382</b>	Jumper Valve TMV
<b>129121</b>	Stop Spindle
<b>129250.00</b>	Stop Handle Chrome Plated Flow Control
<b>600225.00</b>	Handle Assembly Chrome



## SPARE PARTS & ACCESSORIES

### EXPOSED BATH/SHOWER TOP OUTLET

Thermostatic Valves



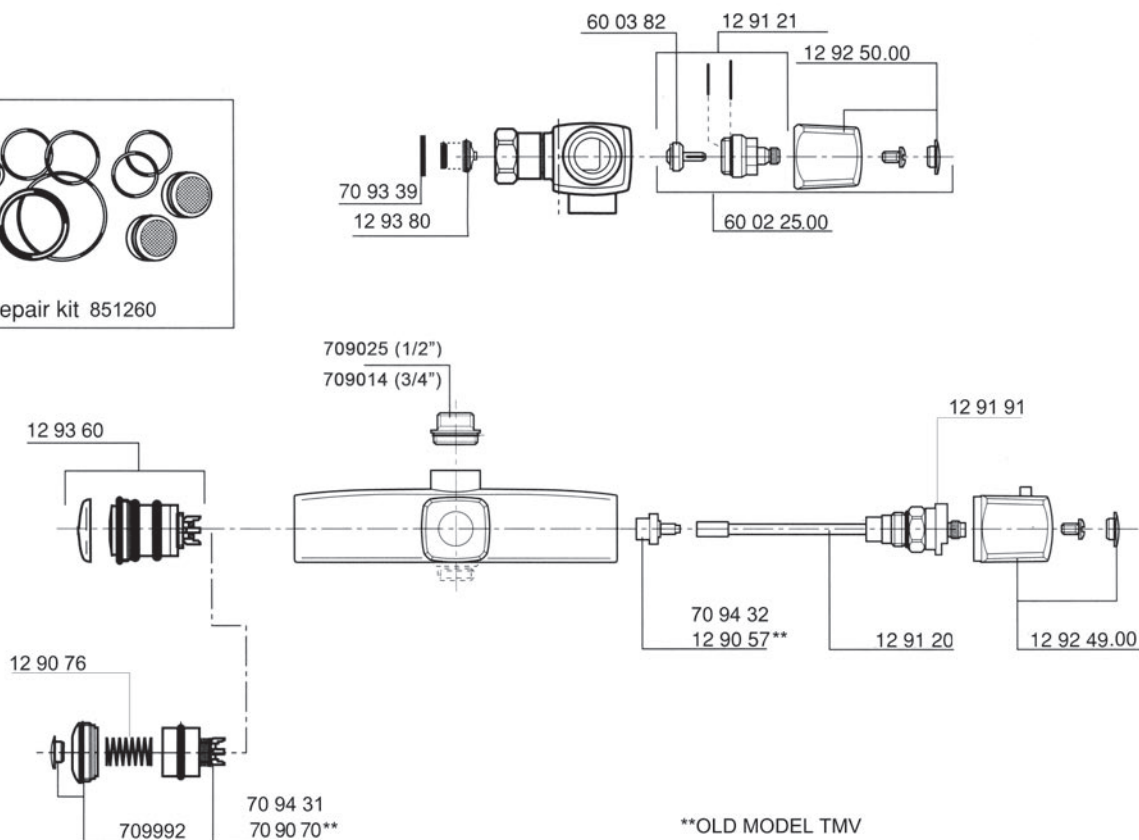
APPLICABLE TO PRODUCT CODE  
**700130.00**

#### SPARE PARTS

<b>851260</b>	Service Kit
<b>709432</b>	Thermostat
<b>709431</b>	Piston
<b>129076</b>	Spring
<b>709992</b>	End Cap
<b>709014</b>	20mm Outlet
<b>709025</b>	15mm Outlet
<b>129322.00</b>	Temperature Control Handle
<b>129360</b>	Pressure Balancing Valve
<b>129120</b>	Temperature Spindle
<b>129191</b>	Stop Ring
<b>129249.00</b>	Temperature Handle Chrome

#### ACCESSORIES

<b>701010.00</b>	Eccentric Isolator 10mm (pair) Chrome
<b>701011.00</b>	Eccentric Connector 40mm (pair) Chrome
<b>701013.00</b>	Eccentric Connector 80mm (pair) chrome
<b>701015.00</b>	Eccentric Connector 125mm (pair) Chrome
<b>620400</b>	Conversion Nipple Female (pair) 18mm x 15mm
<b>620401</b>	Conversion Nipple Male (pair) 18mm x 20mm
<b>709339</b>	Seal 24/15 2 pc
<b>129380</b>	Non-return valve and filter for exposed TMV
<b>600382</b>	Jumper Valve TMV
<b>129121</b>	Stop Spindle
<b>129250.00</b>	Stop Handle Chrome Plated Flow Control
<b>600225.00</b>	Handle Assembly Chrome





## SPARE PARTS & ACCESSORIES

### EXPOSED MULTIPLE OUTLETS WITH LOCKSHIELD



#### APPLICABLE TO PRODUCT CODE

700118.00

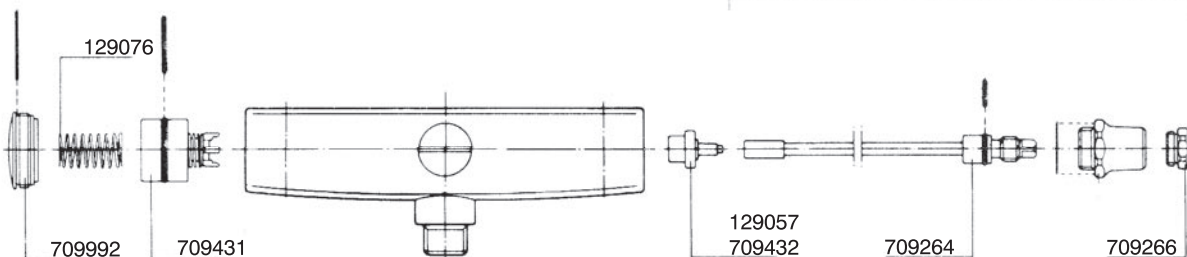
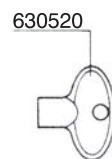
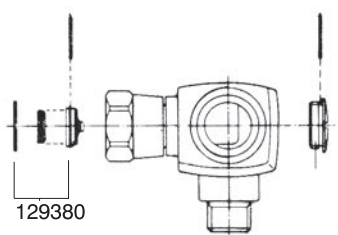
700119.00

#### SPARE PARTS

<b>851260</b>	Service Kit
<b>630520</b>	Lockshield Key
<b>709432</b>	Thermostat
<b>709431</b>	Piston
<b>129076</b>	Spring
<b>709992</b>	End Cap
<b>709264</b>	Lockshield Spindle Control
<b>709266</b>	Lockshield Cap
<b>709014</b>	20mm Outlet Nipple
<b>129360</b>	Pressure Balancing Valve
<b>129380</b>	Non-return Valve & filter
<b>129076</b>	Spring
<b>630520</b>	Lockshield Cap

#### ACCESSORIES

<b>701010.00</b>	Eccentric Isolator 10mm (pair) Chrome
<b>701011.00</b>	Eccentric Connector 40mm (pair) Chrome
<b>701012.00</b>	Eccentric Connector 60mm (pair) Chrome
<b>701013.00</b>	Eccentric Connector 80mm (pair) Chrome
<b>701015.00</b>	Eccentric Connector 125mm (pair) Chrome
<b>620400</b>	Conversion Nipple Female (pair) 18mm x 15mm
<b>620401</b>	Conversion Nipple Male (pair) 18mm x 20mm
<b>709262</b>	Lockshield Spindle Long Inlet Centres 150-153mm



# SPARE PARTS & ACCESSORIES

## MULTIPLE OUTLET IN LOCKABLE ENCLOSURE

APPLICABLE TO PRODUCT CODE  
700119SS

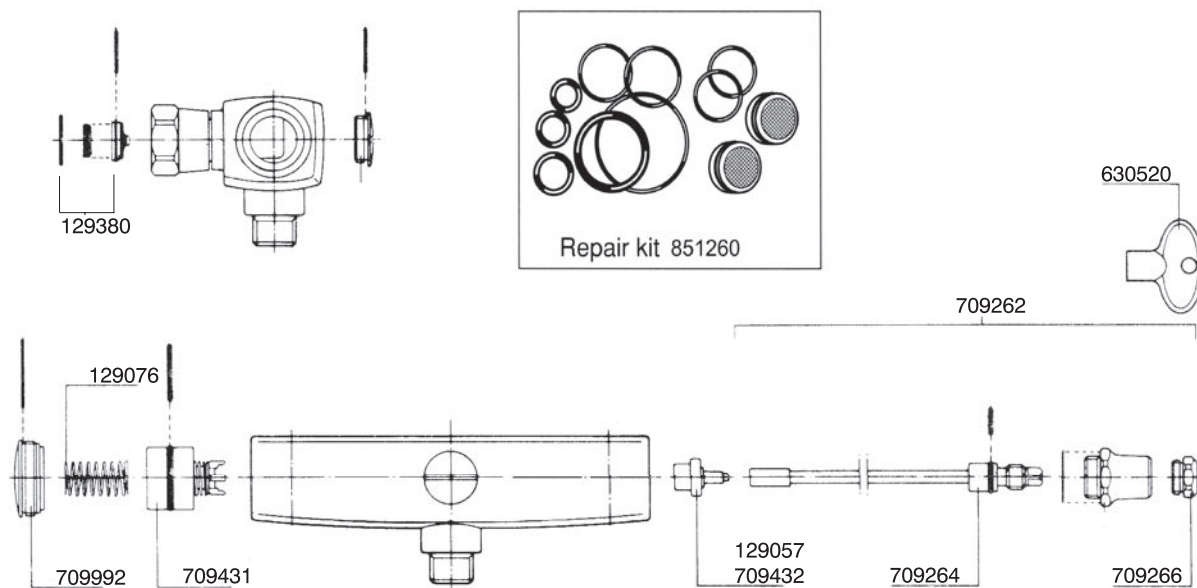


### SPARE PARTS

- 851260** Service Kit
- 630520** Lockshield Key
- 709432** Thermostat
- 709431** Piston
- 129076** Spring
- 129360** Pressure Balancing Valve
- 129380** Non-return Valve & filter
- 129076** Spring
- 630520** Lockshield Cap
- 709992** End Cap
- 709264** Lockshield Spindle Control
- 709262** Lockshield Spindle Long Inlet Centres 150-153mm
- 709266** Lockshield Cap
- 709014** 20mm Outlet Nipple

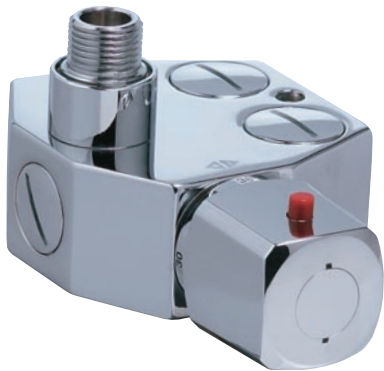
### ACCESSORIES

- 701010.00** Eccentric Isolator 10mm (pair) Chrome
- 701011.00** Eccentric Connector 40mm (pair) Chrome
- 701012.00** Eccentric Connector 60mm (pair) Chrome
- 701013.00** Eccentric Connector 80mm (pair) Chrome
- 701015.00** Eccentric Connector 125mm (pair) Chrome
- 620400** Conversion Nipple Female (pair) 18mm x 15mm
- 620401** Conversion Nipple Male (pair) 18mm x 20mm



## SPARE PARTS & ACCESSORIES

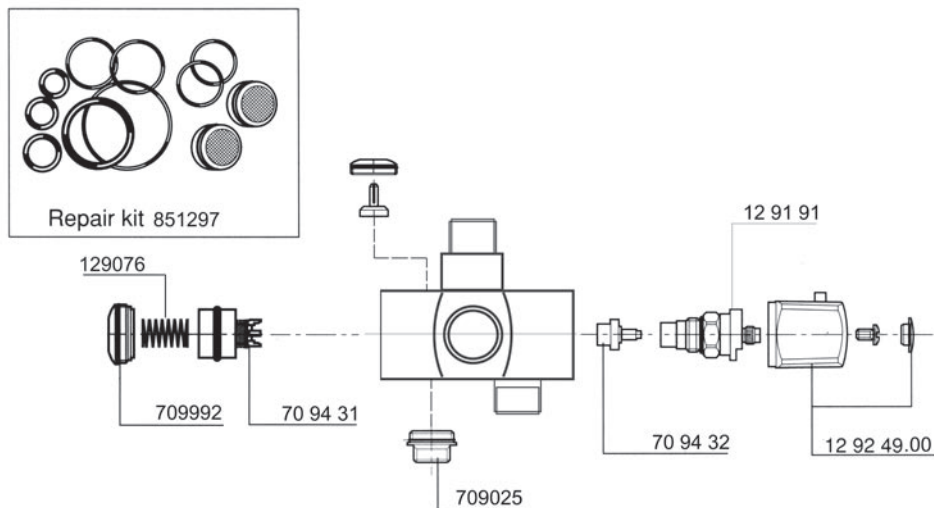
### EXPOSED MINI BATH/SHOWER



APPLICABLE TO PRODUCT CODE  
700210.00

#### SPARE PARTS

<b>709432</b>	Thermostat for TMV (all current models)
<b>709431</b>	Piston for TMV (all current models)
<b>129076</b>	Spring for TMV (all current models)
<b>709992</b>	End Cap for TMV (all current models)
<b>851297</b>	Service Kit Mini TMV
<b>129249.00</b>	Temperature Control Handle
<b>129315</b>	Check Cover
<b>709025</b>	1/2" Outlet for TMV
<b>129098</b>	Non-return valve and filter
<b>129191</b>	Stop Ring



**THIS PAGE INTENTIONALLY BLANK**



**Want to be kept  
up to date with  
the latest version  
of this catalogue?**

**[www.ryemetal.com/update](http://www.ryemetal.com/update)**

**Update me**





Ryemetal Pty Ltd  
270 Wickham Road  
Moorabbin Victoria 3189  
Phone 03 8531 2222  
Fax 03 9532 3327

[www.ryemetal.com](http://www.ryemetal.com)